



DIAPHRAGM
PUMPS

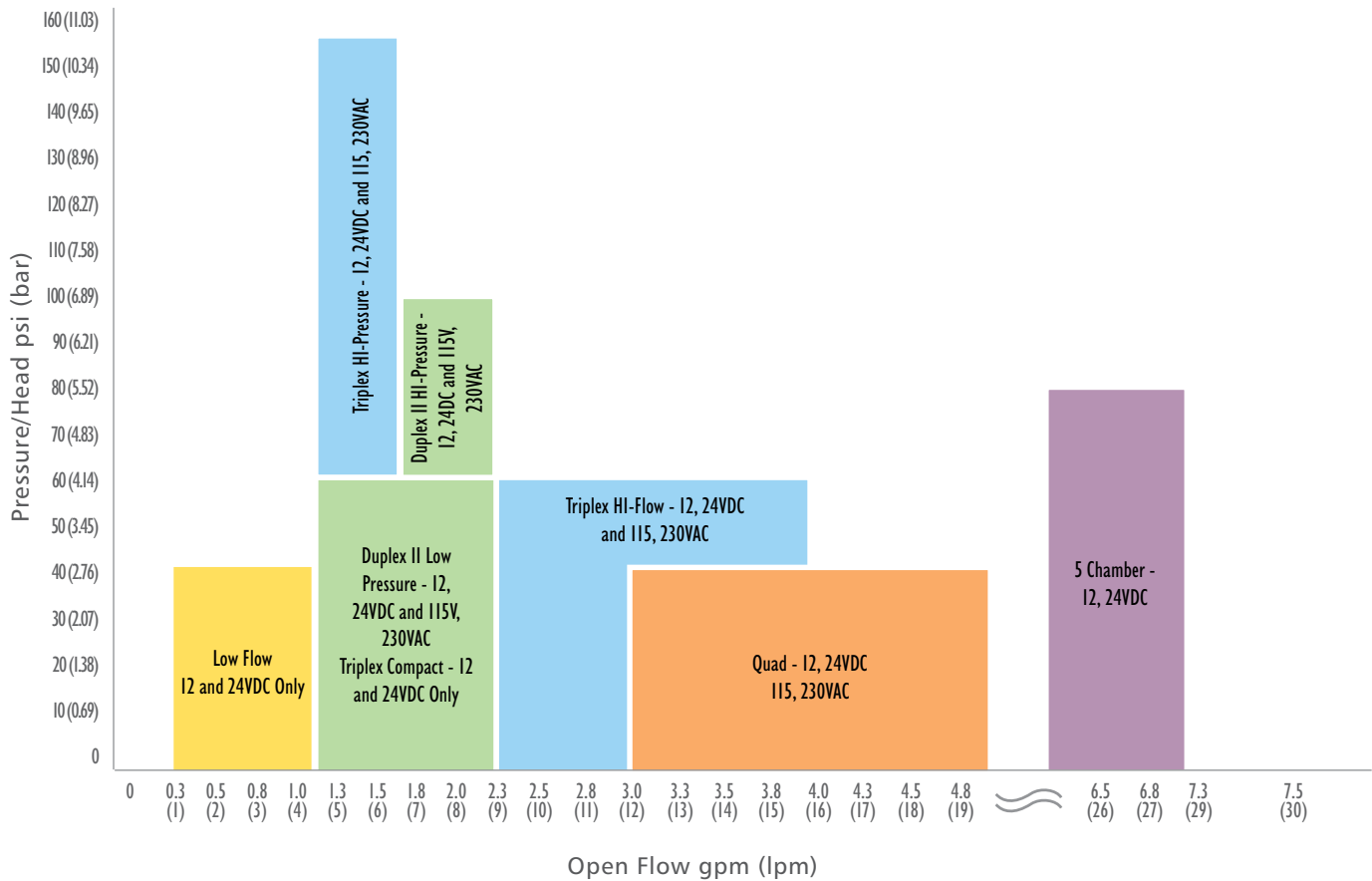
INTRODUCTION

DIAPHRAGM PUMP PRODUCT RANGE

Operational “Box” for ITT Flojet Diaphragm Pumps
 (Options below are not available to all ranges)

Pressure	0-160 (0 - 11 bar)
Open Flow	0.3-7 GPM (1.14 - 26.5 LPM)
Elastomers	Santoprene, Viton, Buna, Geolast, EPDM, Silicone, Kalrez
Body Materials	Polypropylene, Celcon, Nylon
Switch Range	20-160 PSI (1.4 - 11 Bar) or no switch
Bypass Range	15-150 PSI (1.0 - 10.4 Bar) or no bypass
Power	Electric: 12-48VDC, 110VAC, 230VAC Gas: Air, Co2 or Nitrogen

The above defines the box for ITT Flojet’s standard products. As ITT Flojet is also a motor manufacturer we are capable of providing specific solutions to your pumping needs. If the above range is not suitable, please contact the factory to learn about our full range of ITT Flojet Diaphragm Pumps.



GAS WARNING
 No pump manufactured by ITT should be used for gasoline or any fluid with a flash point below 100° F (38° C)

FEATURES AND BENEFITS

Expect only the best. With over 30 years of pump design and manufacturing experience, ITT Flojet is committed to delivering the hardest working and longest lasting pumps. No matter the application, ITT Flojet can provide a superior pump to match all your requirements.

SELF-PRIMING EVEN WHEN DRY

Dry vertical lift from 2.5ft (0.75m) up to an outstanding 27.9ft (8.5m).

CAN RUN DRY WITHOUT DAMAGE

- ITT Flojet diaphragm pumps can run dry for extended periods with no damage even when the liquid supply is exhausted
- Compatible with a wide range of chemicals
- Seal-less design (no shaft seal, so less leak issues)

COMPACT SIZE AND LIGHTWEIGHT

- Highest flow rates for their size
- Plug-in ports for easy installation and servicing
- ITT Flojet pumps can be mounted easily anywhere with functional mounting platforms and simple connections - fit it anywhere and plumb up

EASY, LOW-COST AND CONVENIENT SERVICING

- Modular design
- Low cost, low maintenance design means a trouble free service life
- Spare parts and accessories are readily available and easy to install

THE PRINCIPAL BEHIND POSITIVE DISPLACEMENT DIAPHRAGM PUMPS

Motor Driven



Self-priming design allows pumps to create suction to draw fluid into pump without manual priming.



Fluid enters inlet port and is drawn through inlet check valve when piston moves away from the check valve.



As piston moves toward the check valve assembly, the fluid is forced through the outlet check valve and out of the pump.

Air Driven



Air pressure directed by the stall-proof shuttle valve pulls the left diaphragm to create suction for the fluid being pumped.



Pressurized air is redirected behind the left diaphragm, causing a discharge stroke, forcing the fluid out. At the same time, the right diaphragm draws in more fluid



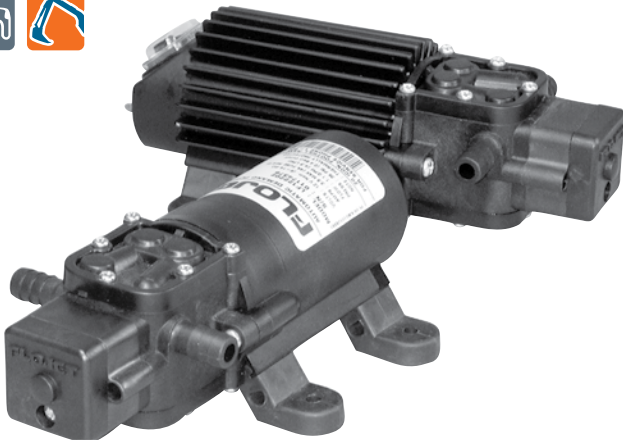
Air is redirected to the right side by the shuttle valve as it repeats the above cycle; forcing fluid out at the right diaphragm and drawing fluid in at the left.

MOTOR DRIVEN



LF SERIES | FOR INTERNATIONAL & US MARKETS

This ultra compact pump uses the duplex diaphragm design to deliver flow and pressure comparable to much larger pumps.



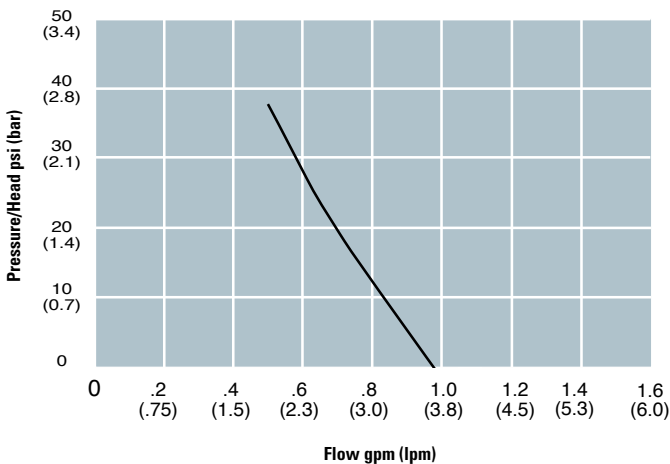
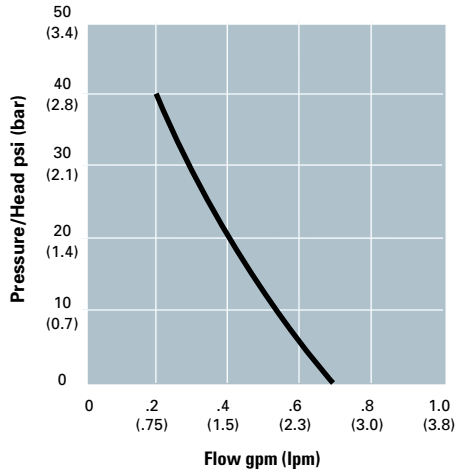
FEATURES

- Sealed pressure switch automatically starts and stops pump when discharge valve opens and closes
- Self-priming so pump can be located above supply tank
- Can run dry for extended periods of time without damage
- Built-in thermal protector
- Low amp draw for battery powered applications

OPTIONAL FEATURES

- Sealed motor with protective metal cooling finned cover
- Integral 5 amp in-line fuse with cover
- Manual on/off switch with protective cap to turn off pump when supply tank is empty

PERFORMANCE



SPECIFICATIONS - LF12 AND LF11 SERIES

Pump Design	Reciprocating Diaphragm
Flow Rate	1.0 GPM (3.8 L/min) Nominal @ Open Flow
Duty Cycle	Intermittent

WETTED PARTS

Housing	Polypropylene
Diaphragm	Santoprene®
Check Valve	Viton® or EPDM
Check Valve Spring	316 Stainless Steel
Minimum Tip Size	#8 Tip, .072" (1.83 mm) Diameter
Port Type	3/8" (9.5 mm) Hose Barb
Operating Pressure	25 PSI (1.7 bar) Maximum
Pressure Switch Setting	35 PSI (2.4 bar) Off, 25 PSI (1.7 bar) On
Self-Priming	Up to 2.5 ft (.76 m) Vertically
Liquid Temperature	110° F (43° C) Maximum
Motor Type	Permanent Magnet Motor
Motor Voltage	12 V DC, 24VDC, 115VAC
Current	2.5 Amp Nominal @ 25 PSI (1.7 bar)

INST. SHEET #81000-312

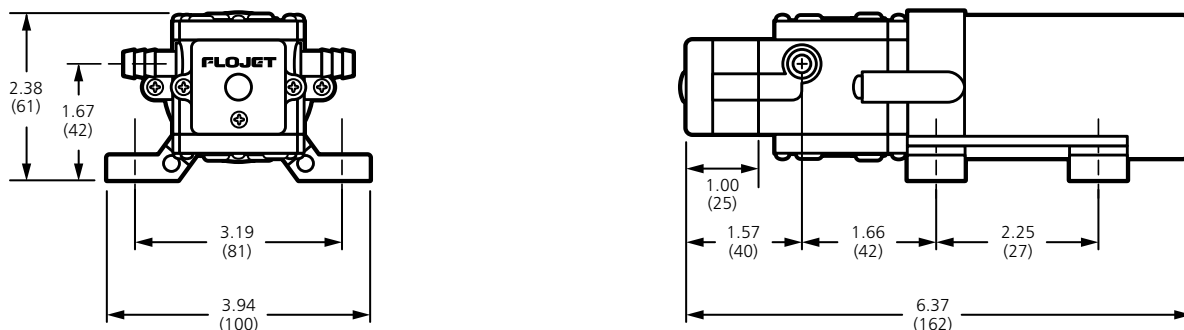
LF SERIES | FOR INTERNATIONAL & US MARKETS

MODELS

MODEL #S	CE	SWITCH PSI (BAR)	BYPASS PSI (BAR)	VOLTAGE	DIAPHRAGM	CHECK VALVE	OPEN FLOW GPM (LPM)	COMMENTS
LF112201	RLF112201	35 (2.5)	No	12V	Santoprene	Viton	1.0 (3.8)	Fins, Inline Connector, Inline Fuse, Rocker Switch
LF112421	RLF112421	40 (2.8)	Yes	12V	Santoprene	Viton	1.0 (3.8)	Fins, Inline Connector, Inline Fuse, Rocker Switch
LF121421	RLF121421	40 (2.8)	Yes	12V	Santoprene	Viton	0.7 (2.6)	
LF122002	RLF122002	No	No	12V	Santoprene	EPDM	1.0 (3.8)	
LF122005	No	No	No	12V	Geolast	Viton	1.0 (3.8)	
RLF122205	Yes	35 (2.5)	No	12V	Geolast	Viton	1.0 (3.8)	
LF122201	RLF122201	35 (2.5)	No	12V	Santoprene	Viton	1.0 (3.8)	
LF122202	RLF122202	35 (2.5)	No	12V	Santoprene	EPDM	1.0 (3.8)	
LF122421	RLF122421	40 (2.8)	Yes	12V	Santoprene	Viton	1.0 (3.8)	
LF172201	No	35 (2.5)	No	12V	Santoprene	Viton	1.0 (3.8)	Inline connector
LF182201	No	35 (2.5)	No	12V	Santoprene	Viton	1.0 (3.8)	Inline connector, Rocker Switch
LF221421	RLF221421	40 (2.8)	Yes	24V	Santoprene	Viton	0.7 (2.6)	
LF222005	No	No	No	24V	Geolast	Viton	1.0 (3.8)	
RLF222205	Yes	35 (2.5)	No	24V	Geolast	Viton	1.0 (3.8)	
LF222201	RLF222201	35 (2.5)	No	24V	Santoprene	Viton	1.0 (3.8)	
LF222202	RLF222202	35 (2.5)	No	24V	Santoprene	EPDM	1.0 (3.8)	
LF521401	No	40 (2.8)	No	115 VAC	Santoprene	Viton	0.7 (2.6)	
LF521402	No	40 (2.8)	No	115 VAC	Santoprene	EPDM	0.7 (2.6)	

DIMENSIONAL DRAWING

UNLESS OTHERWISE STATED DIMENSIONS IN [] ARE IN MM.



MOTOR DRIVEN



DUPLEX II SERIES PUMPS | FOR INTERNATIONAL & US MARKETS

The Duplex II series of pumps incorporate the best technology and features developed by ITT Flojet. Everything from the back flow preventer, check valves, bearings and diaphragm assembly to the motor, have been designed to make this truly the most advanced and reliable diaphragm pump available. Higher efficiency of the pump is evident in the longer life of the motor pump unit. The new diaphragm design combined with the new valves, makes the pump capable of pulling higher dry vacuum. Duplex II is available in various performance ranges, voltages and with a choice of elastomers, making it easily adaptable to a diverse range of applications.



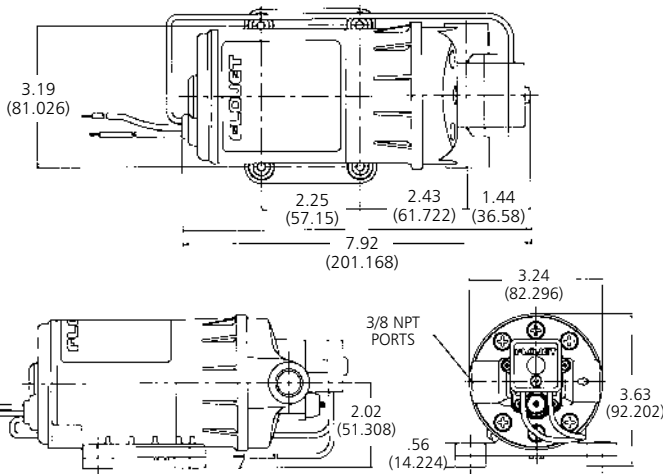
FEATURES

- Self-priming up to 8 feet (2.4 m)
- Can run dry without damage
- Chemically resistant materials
- Internal bypass standard
- Built-in back flow preventer
- Heavy duty ball bearing drive system
- UL, CSA and CE models available

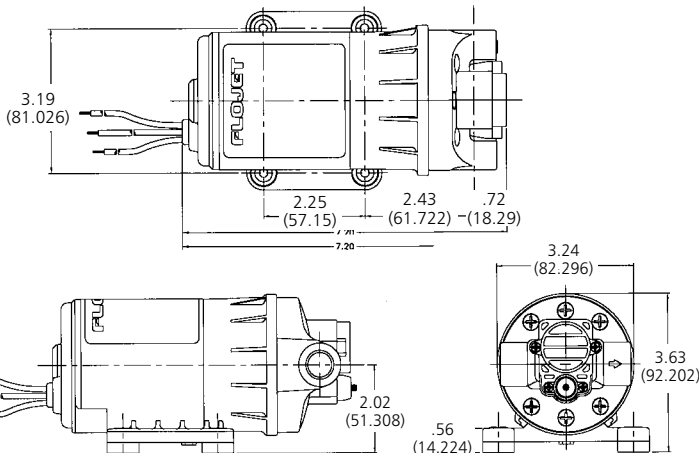
DIMENSIONAL DRAWING

UNLESS OTHERWISE STATED DIMENSIONS IN [] ARE IN MM.

Demand Pump



Bypass Pump

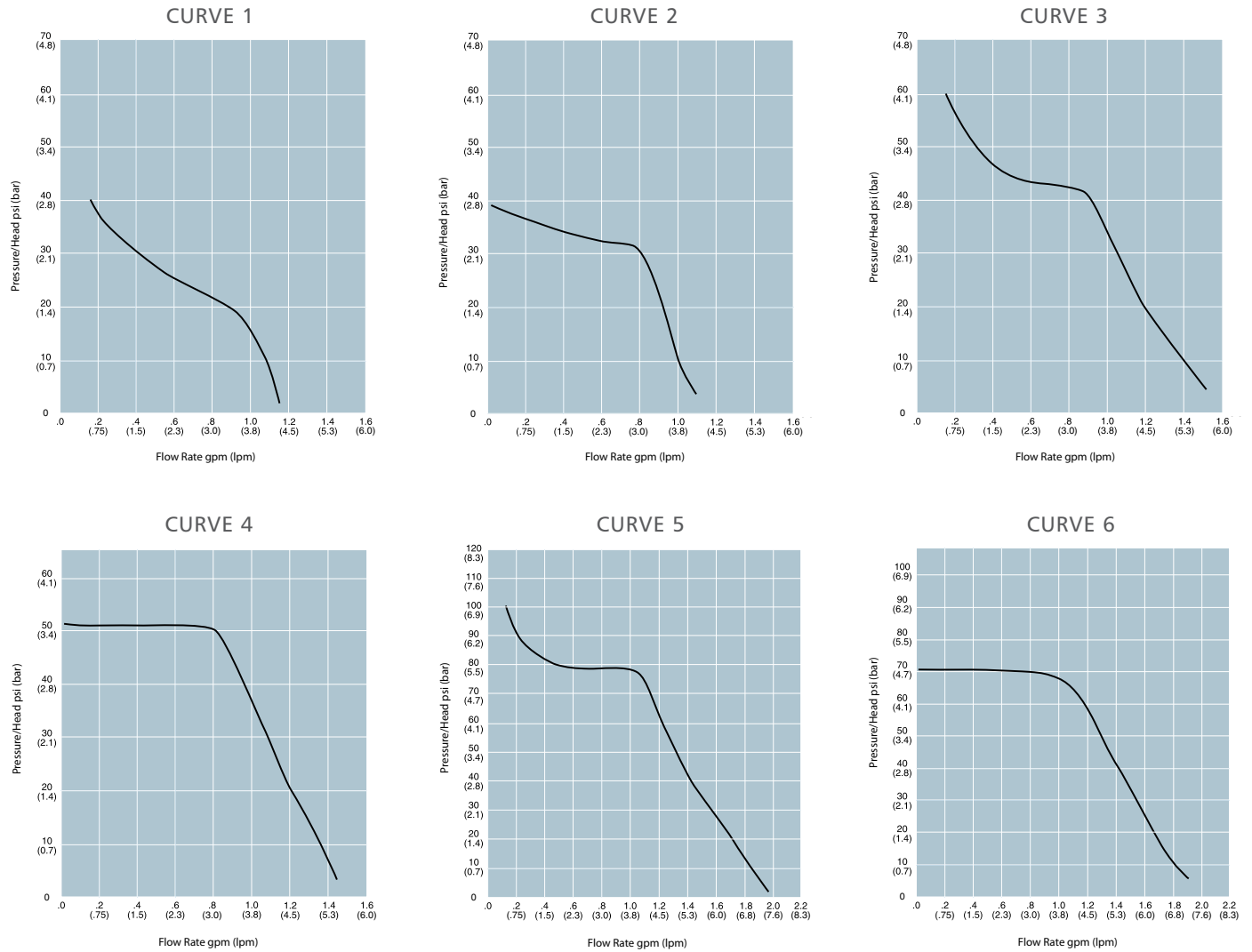


SPECIFICATIONS

Pump	Positive Displacement two piston design
Flow Rate	2.2 GPM (8.32 L/min) for high pressure models, 1.6 GPM (6.05 L/min) for medium and low pressure models
Pressures	Up to 100 PSI (6.89 bar)
Ports	3/8" (9.52mm) NPT female
Motor	Permanent Magnet with solid state rectifier
Voltages	12 & 24 V DC, 115 & 230 V AC
Cycle	50/60 hertz for AC models
Dry Vacuum	Up to 8 feet (2.4 M)
Pressure Switch Setting	15 (1.34), 30(2.07), 45(3.10), 60(4.14), 80, and 100 (6.8) PSI (bar)
Wetted Parts	Polypropylene, Viton®, Buna or EPDM
Net Weight	4 to 5 lbs. (2.28 kgs)
Maximum Operating Pressure	100 PSI (6.8 bar)
Hi-Pressure INST. SHEET #	81000-339
Low-Pressure INST. SHEET #	81000-338

DUPLEX II SERIES PUMPS | FOR INTERNATIONAL & US MARKETS

PERFORMANCE



* See following pages for specification charts

MOTOR DRIVEN

DUPLEX II SERIES PUMPS | FOR INTERNATIONAL & US MARKETS

MODELS

MODEL #S	MODEL #S CE CERTIFIED	VOLTAGE	SWITCH PSI (BAR)	BYPASS PSI (BAR)	DIAPHRAGM	CHECK VALVE	OPEN FLOW GPM (LPM)	CURVE #	COMMENTS
D2121F501I	D2121F501IR	12V	60 (4.1)	Yes	Santoprene	Viton	1.2 (4.6)	1	
D2131F131I	D2131F131IR	12V (24V)**	No	50 (3.4)	Santoprene	Viton	1.6 (6.1)	4	
D2131F501I	Not Available*	12V (24V)**	60 (4.1)	Yes	Santoprene	Viton	1.6 (6.1)	3	
D2132F501I	D2132F501IR	12V	60 (4.1)	Yes	Santoprene	Viton	1.6 (6.1)	3	Heavy Duty Motor
D21321501I	Not Available*	12V	60 (4.1)	Yes	BUNA	Viton	1.6 (6.1)	5	
D2135F701I	D2135F701IR	12V (24V)**	100 (6.9)	Yes	Santoprene	Viton	2.1 (8.0)	3	(NEEDS TO BE RELEASED)
D21X003	Not Available*	12V	No	60 (4.1)	Santoprene	Viton	1.6 (6.1)	6	Inline Fuse, Rocker Switch
D21X005	Not Available*	12V	60 (4.1)	Yes	Santoprene	Viton	2.0 (7.6)	3	Inline Connector, Rocker Switch
D21X007	Not Available*	12V	No	50 (3.4)	BUNA	Viton	1.6 (6.1)	3	Inline Connector, Discharge Left
D3131B131I	D3131B131IR	12V (24V)**	No	50 (3.4)	BUNA	BUNA	1.6 (6.1)	3	
D3131B501I	D3131B501IR	12V (24V)**	60 (4.1)	Yes	BUNA	BUNA	1.6 (6.1)	3	
D3131E131I	D3131E131IR	12V (24V)**	No	50 (3.4)	EPDM	EPDM	1.6 (6.1)	3	
D3131E501I	D3131E501IR	12V (24V)**	60 (4.1)	Yes	EPDM	EPDM	1.6 (6.1)	3	
D3131I131I	Not Available*	12V (24V)**	No	50 (3.4)	BUNA	Viton	1.6 (6.1)	3	
D3131V131I	D3131V131IR	12V (24V)**	No	50 (3.4)	Viton	Viton	1.6 (6.1)	3	
D3131V501I	D3131V501IR	12V (24V)**	60 (4.1)	Yes	Viton	Viton	1.6 (6.1)	3	
D3135B701I	D3135B701IR	12V (24V)**	100 (6.9)	Yes	BUNA	BUNA	2.0 (7.6)	5	
D3135E701I	D3135E701IR	12V (24V)**	100 (6.9)	Yes	EPDM	EPDM	2.0 (7.6)	5	
D71X000	D71X000R	12V	No	50 (3.4)	BUNA	BUNA	2.0 (7.6)	6	Heavy Duty Motor
D71X001	Not Available*	12V	No	50 (3.4)	BUNA	BUNA	2.0 (7.6)	6	Heavy Duty Motor, Discharge Left
D1335E701I	Not Available	36V	100 (6.9)	Yes	EPDM	EPDM	2.0 (7.6)	5	
D1625E7012	Not Available*	115VAC	100 (6.9)	Yes	EPDM	EPDM	1.4 (5.3)	5	Discharge Left
D1625F701I	Not Available	115VAC	100 (6.9)	Yes	Santoprene	Viton	1.4 (5.3)	5	
D1625H701I	Not Available*	115VAC	100 (6.9)	Yes	Santoprene	EPDM	1.4 (5.3)	5	
D1631F131I	Not Available*	115VAC	No	50 (3.4)	Santoprene	Viton	1.6 (6.1)	3	
D1631F501I	Not Available*	115VAC	60 (4.1)	Yes	Santoprene	Viton	1.6 (6.1)	3	
D1631H131I	D3631H131IR	115VAC	No	50 (3.4)	Santoprene	EPDM	1.6 (6.1)	3	
D1631H501I	D3631H501IR	115VAC	60 (4.1)	Yes	Santoprene	EPDM	1.6 (6.1)	3	
D1635E701I	D3635E701IR	115VAC	100 (6.9)	Yes	EPDM	EPDM	2.0 (7.6)	5	
D1635F701I	Not Available*	115VAC	100 (6.9)	Yes	Santoprene	Viton	2.0 (7.6)	5	(Need To Release) Obsolete "J" Models
D1635F702I	Not Available*	115VAC	100 (6.9)	Yes	Santoprene	Viton	2.0 (7.6)	5	3/8" (9.52mm) OD JG
D3631B131I	Not Available*	115VAC	No	50 (3.4)	BUNA	BUNA	1.6 (6.1)	3	
D3631B501I	Not Available*	115VAC	60 (4.1)	Yes	BUNA	BUNA	1.6 (6.1)	3	
D3631V131I	Not Available*	115VAC	No	50 (3.4)	Viton	Viton	1.6 (6.1)	3	
D3631V501I	Not Available*	115VAC	60 (4.1)	Yes	Viton	Viton	1.6 (6.1)	3	
D3635B701I	Not Available*	115VAC	100 (6.9)	Yes	BUNA	BUNA	2.0 (7.6)	5	
D3835B501I	Not Available*	115VAC	60 (4.1)	Yes	BUNA	BUNA	2.0 (7.6)	6	6' (1.83m) cord

DUPLEX II SERIES PUMPS | FOR INTERNATIONAL & US MARKETS

MODELS (CONTINUED)

MODEL #S	MODEL #S CE CERTIFIED	VOLTAGE	SWITCH PSI (BAR)	BYPASS PSI (BAR)	DIAPHRAGM	CHECK VALVE	OPEN FLOW GPM (LPM)	CURVE #	COMMENTS
D3835B701I	Not Available*	115VAC	100 (6.9)	Yes	BUNA	BUNA	2.0 (7.6)	5	6' (1.83m) cord
D3835E701I	Not Available*	115VAC	100 (6.9)	Yes	EPDM	EPDM	2.0 (7.6)	5	6' (1.83m) cord
D3835H501I	Not Available*	115VAC	60 (4.1)	Yes	Santoprene	EPDM	2.0 (7.6)	6	6' (1.83m) cord
D3835V501I	Not Available*	115VAC	60 (4.1)	Yes	Viton	Viton	2.0 (7.6)	6	6' (1.83m) cord
D4822H401I	Not Available*	115VAC	45 (3.1)	Yes	Santoprene	EPDM	1.2 (4.6)	1	6' (1.83m) cord
D1735J701IRL	D1735J701IRL	230VAC	100 (6.9)	Yes	EPDM	Viton	2.0 (7.6)	5	In-line RFI Suppression
D3732B131IRL	D3732B131IRL	230VAC	No	50 (3.4)	BUNA	BUNA	1.6 (6.1)	3	In-line RFI Suppression
D3732B501IRL	D3732B501IRL	230VAC	60 (4.1)	Yes	BUNA	BUNA	1.6 (6.1)	3	In-line RFI Suppression
D3732H131IRL	D3732H131IRL	230VAC	No	50 (3.4)	Santoprene	EPDM	1.6 (6.1)	3	In-line RFI Suppression
D3732H501IRL	D3732H501IRL	230VAC	60 (4.1)	Yes	Santoprene	EPDM	1.6 (6.1)	3	In-line RFI Suppression
D3732V131IRL	D3732V131IRL	230VAC	No	50 (3.4)	Viton	Viton	1.6 (6.1)	3	In-line RFI Suppression
D3732V501IRL	D3732V501IRL	230VAC	60 (4.1)	Yes	Viton	Viton	1.6 (6.1)	3	In-line RFI Suppression
D3735B701IRL	D3735B701IRL	230VAC	100 (6.9)	Yes	BUNA	BUNA	2.0 (7.6)	5	In-line RFI Suppression
D3735H701IRL	D3735H701IRL	230VAC	100 (6.9)	Yes	Santoprene	EPDM	2.0 (7.6)	5	In-line RFI Suppression
D37X006AR	D37X006AR	230VAC	60 (4.1)	Yes	Santoprene	EPDM	1.4 (5.3)	4	Induction motor-continuously rated. Available from Europe only

* Consult your local ITT Flojet representative

** Available in 24V. Consult your local ITT Flojet representative for correct part number

MOTOR DRIVEN



TRIPLEX COMPACT RANGE | FOR INTERNATIONAL & US MARKETS

The Triplex Compact range pump was designed specifically for the Agricultural market. ITT Flojet's new three chamber design and versatile features make it ideal for sprayers and many other transfer and dispensing applications.

This automatic demand pump is fitted with a sealed pressure switch and motor, is self-priming, can run dry, and can be installed in compact spaces.



FEATURES

- Compact automatic demand pump
- Sealed pressure switch and motor
- Self-priming; pump can be located above supply tank
- Can run dry for extended periods of time without damage
- Flow rates to 2.0 GPM (7.6 LPM) and operating pressure to 60 psi (4.1 bar)

APPLICATIONS

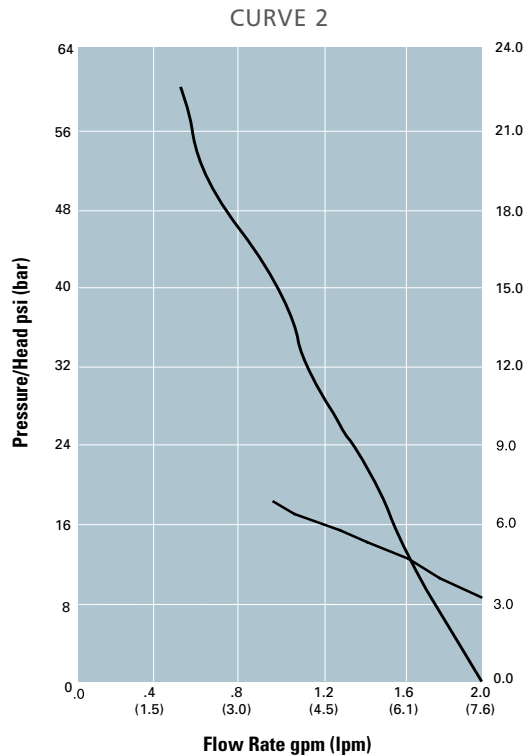
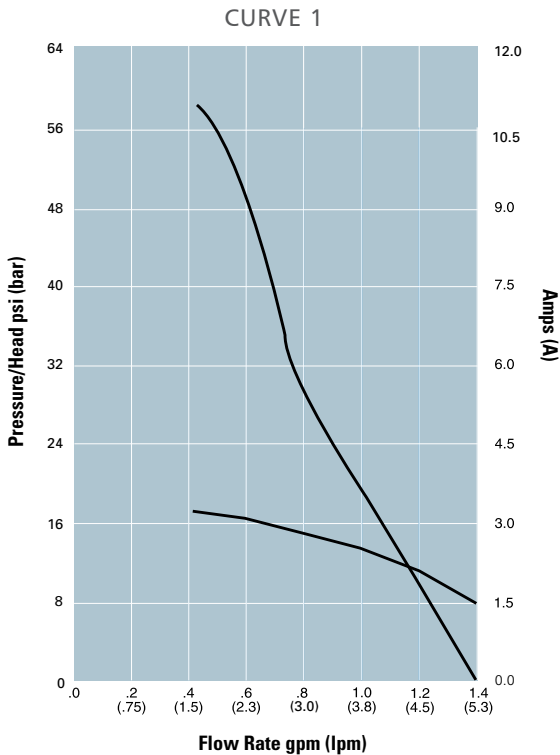
- Small Boom and Spot Spraying
- Foam Marking
- Silage Treatment
- Estate Spraying
- Livestock and Poultry Cooling
- Dispensing
- Transfer of liquids

SPECIFICATIONS

Pump Design	Motor Operated 3 Chamber diaphragm
Motor Design	Permanent Magnet TENV (non-ventilated)
Voltage	12 VDC
Amp Draw	8 amp max for 12 VDC
Pump Head	Reinforced Polypropylene
Elastomers Diaphragm	Santoprene™
Check Valve	EPDM or Viton
Max. Flow Rate	2.0 GPM (7.6 LPM)
Maximum Pressure	60 psi (4.1bar)
Duty Cycle	Intermittent
Weight	3.4 lb (1.5 Kg)
Certifications	CE, NSF components
Port Size Inlet/outlet	3/8" (9.52mm) NPTF

INST. SHEET #81000-379

PERFORMANCE



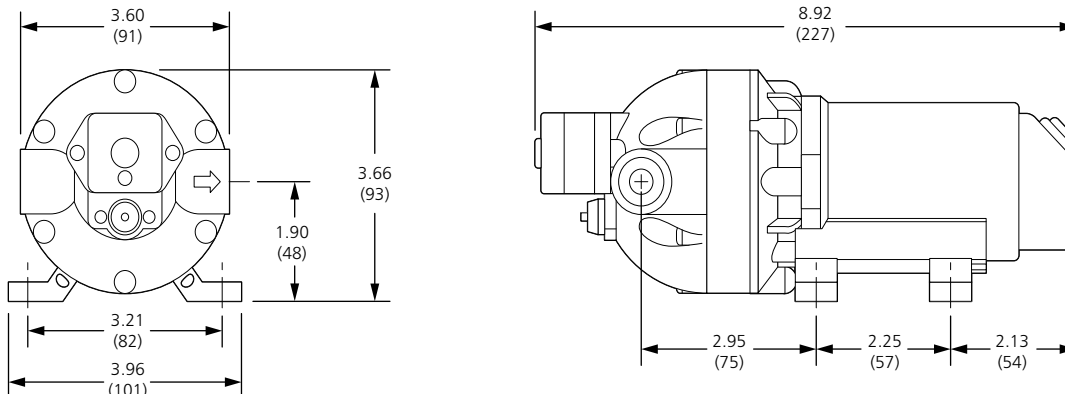
TRIPLEX COMPACT RANGE | FOR INTERNATIONAL & US MARKETS

MODELS

MODEL #S	CE	VOLTAGE	SWITCH PSI (BAR)	BYPASS PSI (BAR)	DIAPHRAGM	CHECK VALVE	OPEN FLOW GPM (LPM)	PORTS	CURVE #	COMMENTS
03501132	R3501132	12V	60 (4.1)	Yes	Santoprene	Viton	1.4 (5.7)	3/8" (9.52mm) NPT	1	
03501136	R3501136	12V	60 (4.1)	Yes	Santoprene	Viton	2.0 (7.9)	3/8" (9.52mm) NPT	2	
03501142	R3501142	12V	60 (4.1)	Yes	Santoprene	EPDM	1.4 (5.7)	3/8" (9.52mm) NPT	1	
03501146	R3501146	12V	60 (4.1)	Yes	Santoprene	EPDM	2.0 (7.9)	3/8" (9.52mm) NPT	2	
03501503	R3501503	12V	60 (4.1)	Yes	Santoprene	Viton	2.0 (7.9)	3/8" (9.52mm) NPT	2	Rocker Switch, Inline Connector
03501505	R3501505	12V	60 (4.1)	Yes	Santoprene	Viton	1.4 (5.7)	3/8" (9.52mm) NPT	1	Inline Connector
03501506	R3501506	12V	60 (4.1)	Yes	Santoprene	Viton	2.0 (7.9)	3/8" (9.52mm) NPT	2	Inline Connector
03B01132	R3B01132	12V	No	50 (3.4)	Santoprene	Viton	1.4 (5.7)	3/8" (9.52mm) NPT	1	
03B01136	R3B01136	12V	No	50 (3.4)	Santoprene	Viton	2.0 (7.9)	3/8" (9.52mm) NPT	2	
03B01142	R3B01142	12V	No	50 (3.4)	Santoprene	EPDM	1.4 (5.7)	3/8" (9.52mm) NPT	1	
03B01146	R3B01146	12V	No	50 (3.4)	Santoprene	EPDM	2.0 (7.9)	3/8" (9.52mm) NPT	2	
03501332	R03501332	24V	60 (4.1)	Yes	Santoprene	Viton	1.4 (5.7)	3/8" (9.52mm) NPT	1	
03501336	R3501336	24V	60 (4.1)	Yes	Santoprene	Viton	2.0 (7.9)	3/8" (9.52mm) NPT	2	
03501342	R3501342	24V	60 (4.1)	Yes	Santoprene	EPDM	1.4 (5.7)	3/8" (9.52mm) NPT	1	
03501346	R3501346	24V	60 (4.1)	Yes	Santoprene	EPDM	2.0 (7.9)	3/8" (9.52mm) NPT	2	
03B01332	R3B01332	24V	No	50 (3.4)	Santoprene	Viton	1.4 (5.7)	3/8" (9.52mm) NPT	1	
03B01336	R3B01336	24V	No	50 (3.4)	Santoprene	Viton	2.0 (7.9)	3/8" (9.52mm) NPT	2	
03B01342	R3B01342	24V	No	50 (3.4)	Santoprene	EPDM	1.4 (5.7)	3/8" (9.52mm) NPT	1	
03B01346	R3B01346	24V	No	50 (3.4)	Santoprene	EPDM	2.0 (7.9)	3/8" (9.52mm) NPT	2	

DIMENSIONAL DRAWING

UNLESS OTHERWISE STATED DIMENSIONS IN [] ARE IN MM.

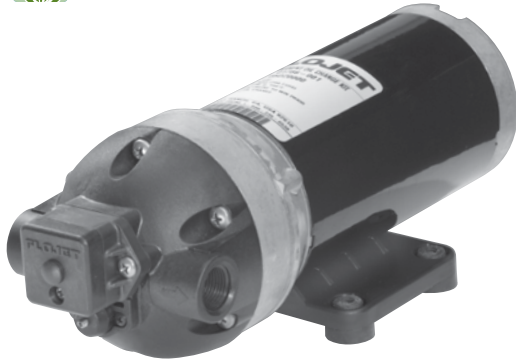


MOTOR DRIVEN



TRIPLEX HI-PRESSURE PUMPS | FOR INTERNATIONAL & US MARKETS

ITT Flojet Triplex Hi-Pressure diaphragm pumps are capable of pressures up to 150 PSI (10.3 Bar), some of the highest pressures available in the diaphragm pump industry. This is ideal for applications such as spraying, misting, filtration, cooling, dispensing and pressure boosting.



FEATURES

- Constructed from a selection of materials suitable for handling a broad range of chemicals.
- Sealed pressure switch and motor
- Self-priming up to 8 feet (2.4m); pump can be located above supply tank
- Can run dry for extended periods of time without damage
- Flow rates to 1.4 GPM (5.5 LPM) and operating pressure to 160 psi (11 bar)

APPLICATIONS

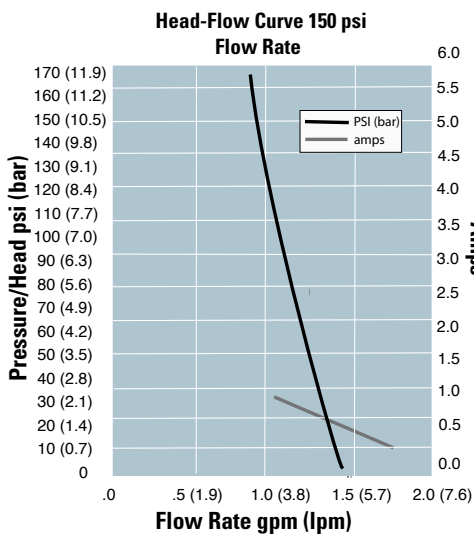
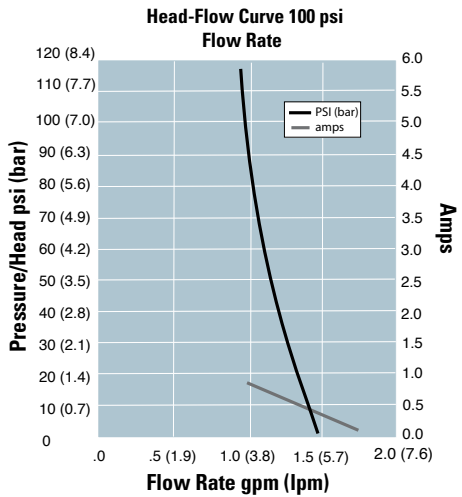
- Designed for wide range of applications
- Small Boom and Spot Spraying
- Silage Treatment
- Estate Spraying
- Livestock and Poultry Cooling
- Dispensing
- Transfer of liquids

SPECIFICATIONS

Pump Design	Motor Operated 3 Chamber diaphragm
Motor Design	Permanent Magnet DC and rectified (PMDC) AC
Voltage	12, 24 VDC, 115, 230 VAC
Cycles	50/60 Hz
Amp Draw	9 amp max for 12 VDC, 0.95 amp max for 115 VAC
Pump Head	Glass filled Nylon
Elastomers Diaphragm	Santoprene™
Check Valve	EPDM or Viton
Max. Flow Rate	1.4 GPM (5.5LPM)
Maximum Pressure	160 psi (101 bar) switch cutoff 140 psi (9.7 bar) max running pressure
Max. Liquid Temp	40° F (4° C) Min, 140° F (60° C) Max
Duty Cycle	Intermittent
Weight	7.6 lb (3.5 Kg)
Certifications	CE, NSF components
Port Size Inlet/outlet	3/8" (9.52mm) NPTF

INST. SHEET #81000-409

PERFORMANCE



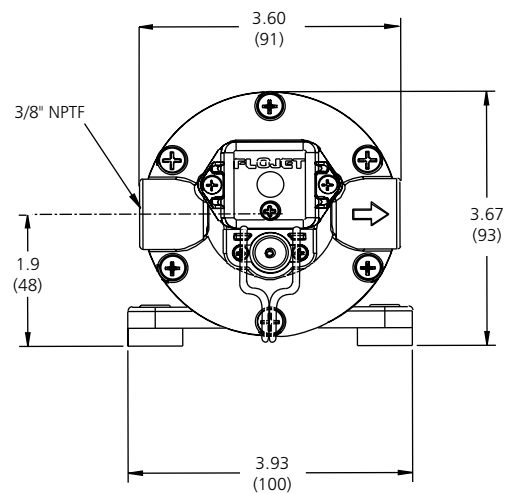
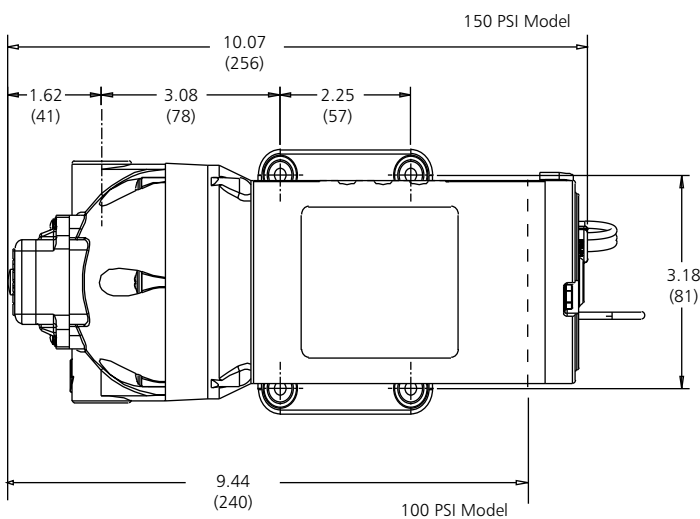
TRIPLEX HI-PRESSURE PUMPS | FOR INTERNATIONAL & US MARKETS

MODELS

MODEL#S	CE	VOLTAGE	SWITCH PSI (BAR)	BYPASS PSI (BAR)	DIAPHRAGM	CHECK VALVE	OPEN FLOW GPM (LPM)	PORTS
0371132	R371132	12V	100 (6.9)	Yes	Santoprene	Viton	1.4 (5.5)	3/8" (9.52mm) NPT
0371142	R371142	12V	100 (6.9)	Yes	Santoprene	Viton	1.4 (5.5)	3/8" (9.52mm) NPT
0381132	R381132	12V	150 (10.5)	No	Santoprene	Viton	1.4 (5.5)	3/8" (9.52mm) NPT
0381142	R381142	12V	150 (10.5)	No	Santoprene	EPDM	1.4 (5.5)	3/8" (9.52mm) NPT
03711332	R3711332	24V	100 (6.9)	Yes	Santoprene	Viton	1.4 (5.5)	3/8" (9.52mm) NPT
03711342	R3711342	24V	100 (6.9)	Yes	Santoprene	EPDM	1.4 (5.5)	3/8" (9.52mm) NPT
03811332	R3811332	24V	150 (10.5)	No	Santoprene	Viton	1.4 (5.5)	3/8" (9.52mm) NPT
03811342	R3811342	24V	150 (10.5)	No	Santoprene	EPDM	1.4 (5.5)	3/8" (9.52mm) NPT
03711032	R3711032	110VAC	100 (6.9)	Yes	Santoprene	Viton	1.4 (5.5)	3/8" (9.52mm) NPT
03711042	R3711042	110VAC	100 (6.9)	Yes	Santoprene	EPDM	1.4 (5.5)	3/8" (9.52mm) NPT
03811032	R3811032	110VAC	150 (10.5)	No	Santoprene	Viton	1.4 (5.5)	3/8" (9.52mm) NPT
03811042	R3811042	110VAC	150 (10.5)	No	Santoprene	EPDM	1.4 (5.5)	3/8" (9.52mm) NPT
03711232	R3711232	230VAC	100 (6.9)	Yes	Santoprene	Viton	1.4 (5.5)	3/8" (9.52mm) NPT
03711242	R3711242	230VAC	100 (6.9)	Yes	Santoprene	EPDM	1.4 (5.5)	3/8" (9.52mm) NPT
03811232	R3811232	230VAC	150 (10.5)	No	Santoprene	Viton	1.4 (5.5)	3/8" (9.52mm) NPT
03811242	R3811242	230VAC	150 (10.5)	No	Santoprene	EPDM	1.4 (5.5)	3/8" (9.52mm) NPT

DIMENSIONAL DRAWING

UNLESS OTHERWISE STATED DIMENSIONS IN [] ARE IN MM.

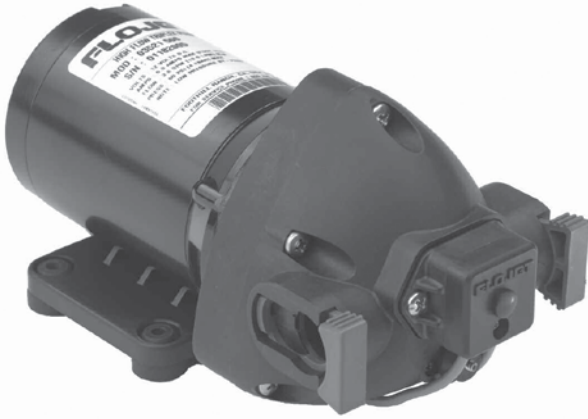


MOTOR DRIVEN



TRIPLEX HI-FLOW RANGE | FOR INTERNATIONAL & US MARKETS

ITT FLOJET Triplex High Flow Series pumps are designed for a wide range of applications and are constructed from a selection of materials suitable for handling a broad range of chemicals. The Triplex High Flow pumps are self-priming and can run dry without harm.



SPECIFICATIONS

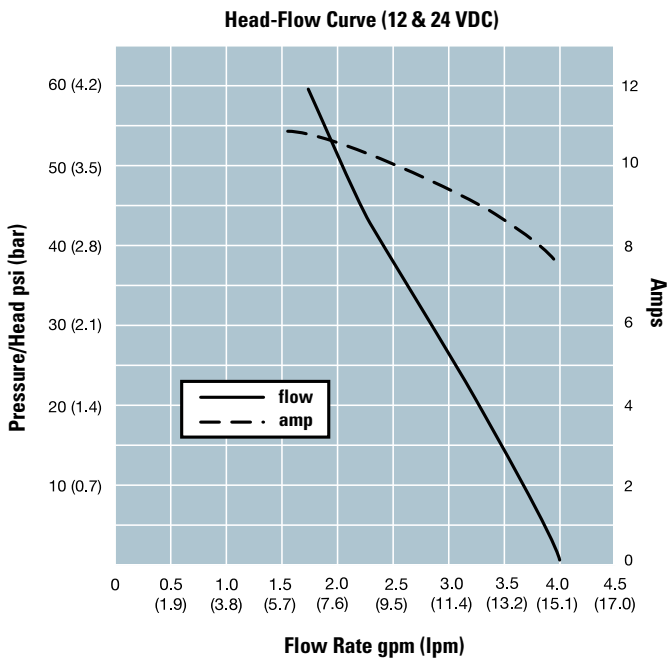
Pump Design	3 chamber diaphragm
Motor Design	Permanent magnet DC
Voltages	12, 24 VDC, 110VAC, 230VAC
Pump Rating	IP 54 (splash proof)
Amp Draw	5 amps @ 10 psi for 12 VDC 3 amps @ 10 psi for 24 VDC 9 amps @ 10 psi for 12 VDC 6 amps @ 10 psi for 24 VD 9 amps @ 40 psi for 12 VDC 6 amps @ 40 psi for 24 VDC
Pump Head	Polypropylene
ELASTOMERS	
Diaphragm	Santoprene™
Check valves	Viton, EPDM
Max. Flow Rate	4 GPM (15.1 LPM)
Max. Pressure	60 psi (4.1 bar) switch cutoff 50 psi (3.4 bar) max running pressure
Max. Liquid Temp	40° F (4° C) Min*, 140° F (60° C) Max*
Duty Cycle	Intermittent**
Weight	5.05 lbs (2.29 kg) max.
Wiring Options	Standard 18 AWG leads
Port Size inlet / outlet	3/4" (19 mm), 3/8" (9.52 mm) NPTF

* Consult your local ITT Flojet representative for higher fluid temperature options

** Consult your local ITT Flojet representative for continuous duty application

INST. SHEET #81000-417

PERFORMANCE



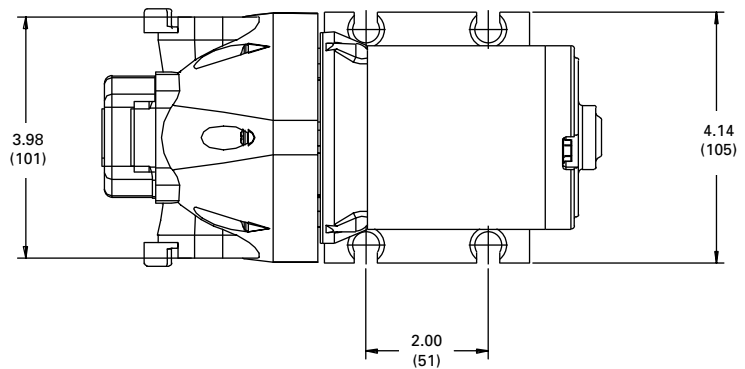
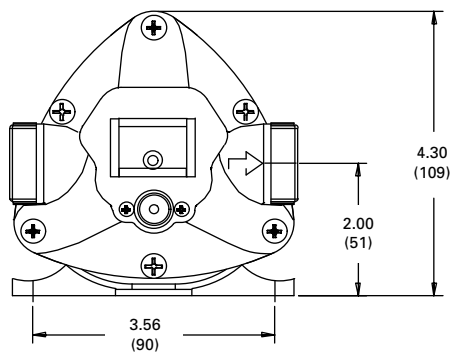
TRIPLEX HI-FLOW RANGE | FOR INTERNATIONAL & US MARKETS

MODELS

MODEL #S	CE	VOLTAGE	SWITCH PSI (BAR)	BYPASS PSI (BAR)	DIAPHRAGM	CHECK VALVE	OPEN FLOW GPM (LPM)	MOTOR SIZE	FITTINGS
03521134	R3521134	12V	50 (3.4)	Yes	Santoprene	Viton	3.0 (11.3)	2.3" (59mm) Light Duty	1/2" (12.7mm) HB ST
03521139	R3521139	12V	60 (4.1)	Yes	Santoprene	Viton	4.0 (15.1)	3" (76.2mm)	1/2" (12.7mm) HB ST
03521144	R3521144	12V	50 (3.4)	Yes	Santoprene	EPDM	3.0 (11.3)	2.3" (59mm) Light Duty	1/2" (12.7mm) HB ST
03521149	R3521149	12V	60 (4.1)	Yes	Santoprene	EPDM	4.0 (15.1)	3" (76.2mm)	1/2" (12.7mm) HB ST
03521334	R3521334	24V	50 (3.4)	Yes	Santoprene	Viton	3.0 (11.3)	2.3" (59mm) Light Duty	1/2" (12.7mm) HB ST
03521339	R3521339	24V	60 (4.1)	Yes	Santoprene	Viton	4.0 (15.1)	3" (76.2mm)	1/2" (12.7mm) HB ST
03521344	R3521344	24V	50 (3.4)	Yes	Santoprene	EPDM	3.0 (11.3)	2.3" (59mm) Light Duty	1/2" (12.7mm) HB ST
03521349	R3521349	24V	60 (4.1)	Yes	Santoprene	EPDM	4.0 (15.1)	3" (76.2mm)	1/2" (12.7mm) HB ST
03521034	R3521034	110VAC	60 (4.1)	Yes	Santoprene	Viton	3.0 (11.3)	3" (76.2mm)	1/2" (12.7mm) HB ST
03521039	R3521039	110VAC	60 (4.1)	Yes	Santoprene	Viton	4.0 (15.1)	3" (76.2mm)	1/2" (12.7mm) HB ST
03521044	R3521044	110VAC	60 (4.1)	Yes	Santoprene	EPDM	3.0 (11.3)	3" (76.2mm)	1/2" (12.7mm) HB ST
03521049	R3521049	110VAC	60 (4.1)	Yes	Santoprene	EPDM	4.0 (15.1)	3" (76.2mm)	1/2" (12.7mm) HB ST
03521234	R3521234	230VAC	60 (4.1)	Yes	Santoprene	Viton	3.0 (11.3)	3" (76.2mm)	1/2" (12.7mm) HB ST
03521239	R3521239	230VAC	60 (4.1)	Yes	Santoprene	Viton	4.0 (15.1)	3" (76.2mm)	1/2" (12.7mm) HB ST
03521244	R3521244	230VAC	60 (4.1)	Yes	Santoprene	EPDM	3.0 (11.3)	3" (76.2mm)	1/2" (12.7mm) HB ST
03521249	R3521249	230VAC	60 (4.1)	Yes	Santoprene	EPDM	4.0 (15.1)	3" (76.2mm)	1/2" (12.7mm) HB ST

DIMENSIONAL DRAWING

UNLESS OTHERWISE STATED DIMENSIONS IN [] ARE IN MM.



MOTOR DRIVEN



QUAD 4000 SERIES PUMPS | FOR INTERNATIONAL & US MARKETS

ITT Flojet developed the quad pumps to deliver higher flows up to 5 GPM (18.92 LPM) using a four-piston design with excellent self-priming capability.



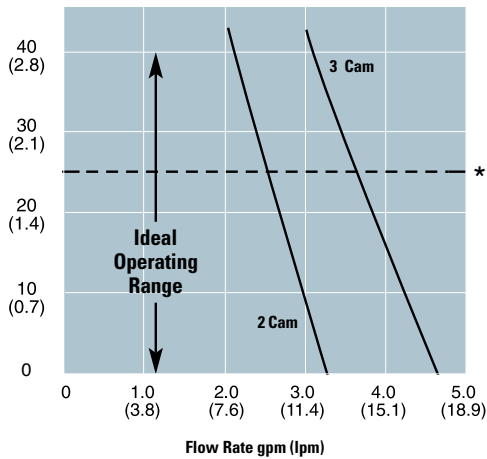
FEATURES

- Built-in pressure switch automatically starts and stops pump instantaneously when discharge valve opens and closes
- Compact design and plug-in port fittings make installation easy
- Can run dry without damage and handle liquids up to 130° F (54° C)
- No metal contact with liquid being pumped
- Ball bearing drive throughout pump and motor assures longer pump life
- Excellent self-priming capability. Pump may be located above the liquid level
- Powerful, permanent magnet motor with low current draw and long life brushes

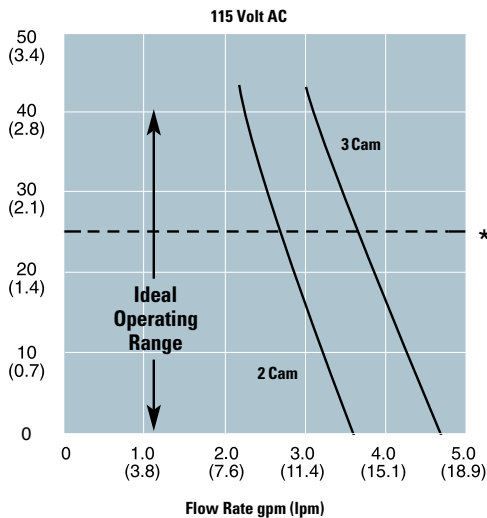
SPECIFICATIONS

Flow Rate	3.5 to 5.0 GPM (13.2 and 18.9 LPM) Nominal
Pump Design	Diaphragm
Motor	TEFC/TENV Permanent Magnet Motor
Voltage	12 & 24 Volt DC, 115 & 230 Volt AC
Cycle	50/60 hertz for AC Models
Current	1.5 amp max. (115 V)
Pressure Switch Setting	45 PSI (3.2 bar) cut out
Maximum Operating Pressure	40 PSI (2.8 bar)
Self-Priming	Up to 8 ft. (2.4 m) Vertical Height
Ports *	Plug-In Ports 1/2" (12.7mm) or 3/4" (19mm) Hose Barb Standard
Wetted Parts	Housing Modified Polypropylene - Standard, Elastomers Santoprene® and Buna - Standard
Net Weight	4 lbs. (2 kg)

PERFORMANCE



*Continuous Duty Max Pressure For No Switch 3 Cam Models

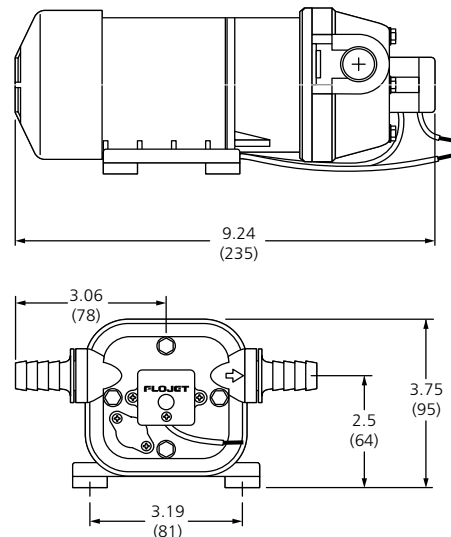


*Continuous Duty Max Pressure For No Switch 3 Cam Models

*Consult your local ITT Flojet representative for other type of Port Fittings
 4300 and I series: INST. SHEET # 81000-084
 4100 series: INST. SHEET # 81000-176
 AC VSD: INST. SHEET # 81000-388

DIMENSIONAL DRAWING

UNLESS OTHERWISE STATED DIMENSIONS IN [] ARE IN MM.



QUAD 4000 SERIES PUMPS | FOR INTERNATIONAL & US MARKETS

MODELS

MODEL #S	CE	VOLTAGE	SWITCH PSI (BAR)	DIAPHRAGM	CHECK VALVE	OPEN FLOW GPM (LPM)	FITTINGS	COMMENTS
04100113	No	12V	No	Geolast	BUNA	5.0 (19.0)	3/4" (14.05 mm) HB ST	
04100143	R4100143	12V	No	Santoprene	EPDM	5.0 (19.0)	3/4" (14.05 mm) HB ST	
04100505	No	12V	No	Santoprene	VITON	3.7 (14.0)	1/2" (12.7 mm) HB ST	
04300112	No	12V	45 (3.1)	Geolast	BUNA	3.7 (14.0)	1/2" (12.7 mm) HB ST	
04300142	R4300142	12V	45 (3.1)	Santoprene	EPDM	3.7 (14.0)	1/2" (12.7 mm) HB ST	
04300143	R4300143	12V	45 (3.1)	Santoprene	EPDM	5.0 (19.0)	3/4" (14.05 mm) HB ST	
04300500	R4300500	12V	45 (3.1)	Santoprene	VITON	3.7 (14.0)	1/2" (12.7 mm) HB ST	
04300504	R4300504	12V	45 (3.1)	Santoprene	VITON	5.0 (19.0)	3/4" (14.05 mm) HB ST	
04300506	R4300506	12V	45 (3.1)	Geolast	BUNA	5.0 (19.0)	3/4" (14.05 mm) HB ST	
04300528	No	12V	45 (3.1)	Santoprene	VITON	3.8 (14.5)	1/2" (12.7 mm) HB ST & GH x 1/2" MNPT	Inline connector, Rocker Switch
04100343	R4100343	24V	No	Santoprene	EPDM	5.0 (19.0)	3/4" (14.05 mm) HB ST	
04300342	R4300342	24V	45 (3.1)	Santoprene	EPDM	3.7 (14.0)	1/2" (12.7 mm) HB ST	
04300343	R4300343	24V	45 (3.1)	Santoprene	EPDM	5.0 (19.0)	3/4" (14.05 mm) HB ST	
04100511	No	36V	No	Santoprene	VITON	5.0 (19.0)	3/4" (14.05 mm) HB ST	
04100500	R4100500	115VAC	No	Santoprene	EPDM	3.7 (14.0)	1/2" (12.7 mm) HB ST	
04100502	No	115VAC	No	Santoprene	VITON	5.0 (19.0)	3/4" (14.05 mm) HB ST	
04300042	No	115VAC	45 (3.1)	Santoprene	EPDM	3.7 (14.0)	1/2" (12.7 mm) HB ST	
04300043	No	115VAC	45 (3.1)	Santoprene	EPDM	5.0 (19.0)	3/4" (14.05 mm) HB ST	
04300501	R4300501	115VAC	45 (3.1)	Santoprene	VITON	3.7 (14.0)	1/2" (12.7 mm) HB ST	
04300515	No	115VAC	45 (3.1)	Santoprene	VITON	5.0 (19.0)	3/4" (14.05 mm) HB ST	
04300525	No	115VAC	45 (3.1)	Santoprene	VITON	5.0 (19.0)	3/4" (14.05 mm) HB ST	6' (1.83m) cord
04300529	No	115VAC	40 (2.8)	Santoprene	VITON	3.0 (11.5)	1/2" (12.7 mm) HB ST	Cord / Continuous Duty/Induction motor
04300531	No	115VAC	40 (2.8)	Santoprene	EPDM	3.0 (11.5)	1/2" (12.7 mm) HB ST	Cord / Continuous Duty/Induction motor
1102010211	No	115VAC	No	Santoprene	VITON	5.0 (19.0)	3/4" (14.05 mm) HB ST	6' (1.83m) cord
1103050211	No	115VAC	No	Santoprene	EPDM	5.0 (19.0)	3/4" (14.05 mm) HB ST	6' (1.83m) cord
1301050110	No	115VAC	45 (3.1)	Santoprene	EPDM	3.7 (14.0)	1/2" (12.7 mm) HB ST	6' (1.83m) cord
1304010110	No	115VAC	45 (3.1)	Santoprene	VITON	3.7 (14.0)	1/2" (12.7 mm) HB ST	6' (1.83m) cord
R4300538	Yes (see left)	230VAC	35 (2.4)	Santoprene	EPDM	4.5 (17.0)	3/4" (14.05 mm) HB ST + 1/2" HB ELB	Induction motor/Continuous Duty
R4300539	Yes (see left)	230VAC	35 (2.4)	Santoprene	EPDM	3.5 (13.0)	3/4" (14.05 mm) HB ST + 1/2" HB ELB	Induction motor/Continuous Duty
R4320242	Yes (see left)	230VAC	35 (2.4)	Santoprene	EPDM	3.7 (14.0)	1/2" (12.7 mm) HB ST	
R4320243	Yes (see left)	230VAC	35 (2.4)	Santoprene	EPDM	5.0 (19.0)	3/4" (14.05 mm) HB ST	
R4320252	Yes (see left)	230VAC	35 (2.4)	Santoprene	VITON	3.7 (14.0)	1/2" (12.7 mm) HB ST	
R4320253	Yes (see left)	230VAC	35 (2.4)	Santoprene	VITON	5.0 (19.0)	3/4" (14.05 mm) HB ST	



PENTAFLEX SERIES | FOR INTERNATIONAL & US MARKETS

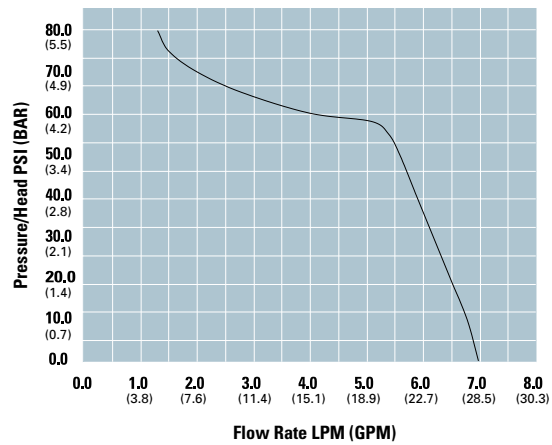
ITT Flojet's Pentaflex delivers breakthrough performance for high flow and high pressure applications. These pumps are engineered and constructed of materials suited to handle a broad range of chemicals. The Pentaflex pump self-priming and can run dry for short periods of time. They are designed as duty cycle pump but can run continuously for short periods of time. Typical applications include transfer, delivery, spraying, cooling, filtration, dispensing, and pressure boosting. EPDM valves with Santoprene diaphragms are available at this time. Additional materials are currently being tested.



SPECIFICATIONS

Pump Body	Glass Filled Nylon
Pump Design	5 Chamber Diaphragm
Suction Lift	Self Priming to 8 ft. (2.5 m)
Ports	(2) - 3/4" (19 mm) Hose Barb (2) - 3/4" (19 mm) Hose Barb 90° Elbow
Motor	Permanent Magnet

PERFORMANCE

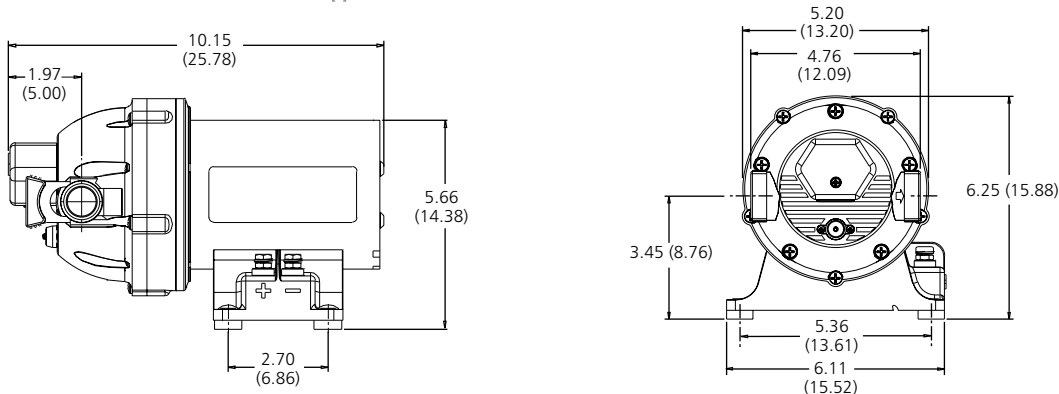


MODELS

MODEL #S	CE	VOLTAGE	SWITCH PSI (BAR)	BYPASS PSI (BAR)	DIAPHRAGM	CHECK VALVE	OPEN FLOW GPM (LPM)	FITTINGS
R7300142A	Yes	12	80 (5.5)	Yes	Santoprene	EPDM	7.0 (26.5)	3/4" (19.05 mm) HB ST
R7300342A	Yes	24	80 (5.5)	Yes	Santoprene	EPDM	7.0 (26.5)	3/4" (19.05 mm) HB ST
R7300132A	Yes	12	80 (5.5)	Yes	Santoprene	Vitron	7.0 (26.5)	3/4" (19.05 mm) HB ST
R7300332A	Yes	24	80 (5.5)	Yes	Santoprene	Vitron	7.0 (26.5)	3/4" (19.05 mm) HB ST

DIMENSIONAL DRAWING

UNLESS OTHERWISE STATED DIMENSIONS IN [] ARE IN MM.





N5100 SERIES | FOR INTERNATIONAL & US MARKETS

ITT Flojet air operated diaphragm pumps offer excellent self-priming capability. Pumps can be located above the supply tank. Suction-side foot valve is recommended for best operation. Liquid pressure is regulated by supply air pressure. No bypass or pressure relief plumbing is necessary. Choice of Santoprene, Buna, or Viton elastomers provide a wide range of chemical compatibility. Quick disconnect liquid and gas port fittings provided for easy installation.



FEATURES

- Compact design with plug-in hose connections for quick installation
- Variety of elastomers to ensure chemical compatibility
- Variable capacity from zero to the maximum flow
- No pressure relief or bypass plumbing required
- Excellent self-priming. Pump may be located above the liquid level

SPECIFICATIONS

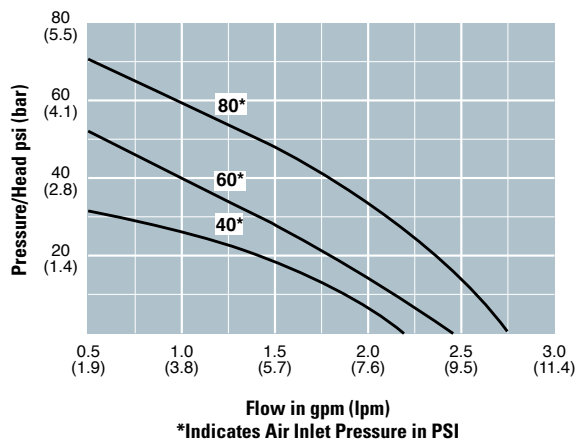
Pump	Air-operated positive displacement double diaphragm pump
Flow Rate	Up to 2.5 GPM (9.5 L/min)
Pressure	20 to 75 PSI (1.38 to 5.51 bar)
Ports	Liquid 3/8" (114.3 mm) Air 1/4" (76.2mm)
Wetted Parts	Buna, Santoprene®, Geolast® or Viton® for diaphragms and valves Acetal copolymer for housing
Self-Priming	28 ft. (8.5 m) Dry, 32 ft. (9.8 m) Wet
Gas/Air Consumption	Air Supply must be oil-free and dry, 40 PSI at 1 GPM - 0.45 C.F.M., 60 PSI at 1 GPM - 0.58 C.F.M., 80 PSI at 1 GPM - 0.77 C.F.M.

INST. SHEET #81000-363

MODELS

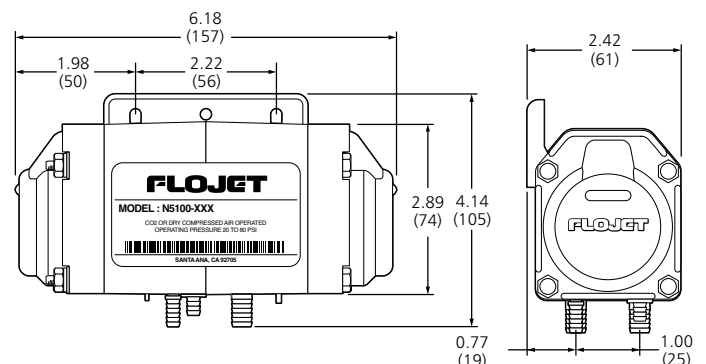
MODEL #S	CE	DIAPHRAGM	CHECK VALVE	LIQUID FITTINGS	AIR INLET & AIR OUTLET	MAX OPEN FLOW GPM (LPM)	COMMENTS
N5100010	Yes	BUNA	BUNA	3/8" HB ST	1/4" HB St	2.5 (9.5)	
N5100020	Yes	VITON	VITON	3/8" HB ST	1/4" HB St	2.5 (9.5)	
N5100040	Yes	SANTOPRENE	SANTOPRENE	3/8" HB ST	1/4" HB St	2.5 (9.5)	
N5100050	Yes	GEOLAST	GEOLAST	3/8" HB ST	1/4" HB St	2.5 (9.5)	
N5100500	Yes	SANTOPRENE	SANTOPRENE	3/8" HB ST	1/4" HB St	2.5 (9.5)	Teflon O-Ring

PERFORMANCE



DIMENSIONAL DRAWING

UNLESS OTHERWISE STATED DIMENSIONS IN [] ARE IN MM.

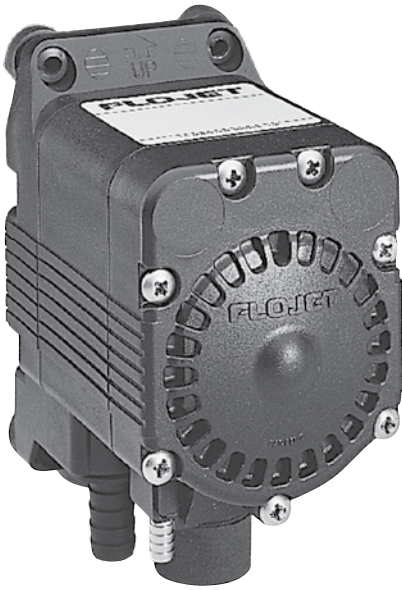


AIR DRIVEN



G57 SERIES | FOR INTERNATIONAL & US MARKETS

Innovative compact design features a patented shuttle valve that eliminates stalling and provides a long life. Chemically resistant Polypropylene body with a choice of Santoprene®, Viton® or Kalrez® elastomers. Quick disconnect liquid and gas port fittings for easy installation.



FEATURES

- Highest flow rate for any air pump of comparable size
- Stall proof design with patented shuttle valve
- Easy installation with all quick disconnect ports
- Robust design with durable integral mounting
- Sanitary design with inset molded diaphragm
- Leak resistant radial seals, no critical O-ring seals
- Quiet operation with large exhaust muffler

SPECIFICATIONS

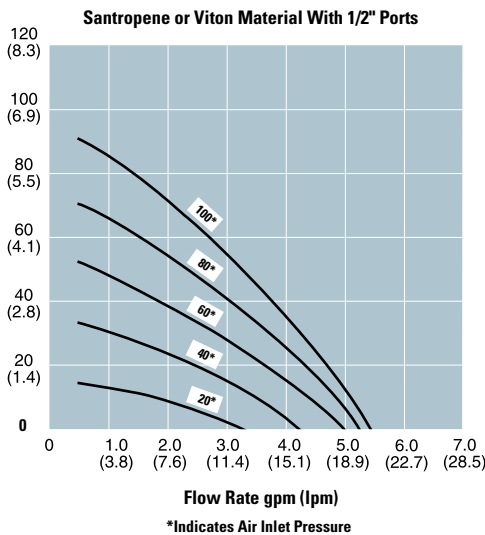
Pump	Air operated positive displacement double diaphragm pump
Flow Rate	Up to 5 gpm (19 lpm)
Pressure	20 to 100 PSI (1.38 to 8.27 bar) (Same as inlet air pressure)
Ports	Liquid 3/8" (114.3mm), 1/2" (152.4mm) and 3/4" (228.6mm) HB Liquid 3/8" (152.4mm) and 1/2" (152.4mm) MNPT Air Inlet 1/4" (76.2mm) HB
WETTED PARTS	
Body	Polypropylene
Diaphragm	Santoprene®, Viton® or Kalrez®
Check Valves	Santoprene®, Viton®, or Viton Extreme
Springs	Hasteloy C
Net Weight	1.2 pounds (0.54 kg.)

Santoprene and Viton: INST. SHEET # 82000-014

Kalrez: INST. SHEET # 81000-439

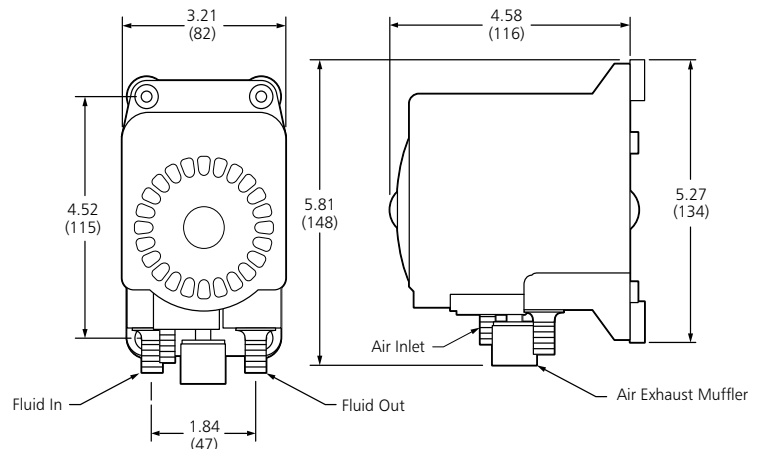
Kalrez® and Viton® Extreme are trademarks or registered trademarks of DuPont Performance Elastomers.

PERFORMANCE



DIMENSIONAL DRAWING

UNLESS OTHERWISE STATED DIMENSIONS IN [] ARE IN MM.



G57 SERIES | FOR INTERNATIONAL & US MARKETS

MODELS

MODEL #S	DIAPHRAGM	CHECK VALVE	LIQUID FITTINGS IN. (MM)	AIR INLET	MAX OPEN FLOW GPM (LPM)	COMMENTS
G573000	Viton	Polypropylene	NONE	NONE	5.0 (19.0)	
G573205	Viton	Polypropylene	1/2-3/8" HB ST (10-13mm)	1/4" HB Brass	5.0 (19.0)	
G573215	Viton	Polypropylene	1/2" HB ST (12.7)	1/4" HB Brass	5.0 (19.0)	
G573225	Viton	Polypropylene	3/4" HB ST (19)	1/4" HB Brass	5.0 (19.0)	
G573145	Viton	Polypropylene	1/2" OD JG (12.7)	1/4" HB Brass	5.0 (19.0)	
G573185	Viton	Polypropylene	3/8" MNPT ST (9.5)	1/4" HB Brass	5.0 (19.0)	
G573175	Viton	Polypropylene	1/2" MNPT ST (12.7)	1/4" HB Brass	5.0 (19.0)	
G575005	Santoprene	Polypropylene	NONE	1/4" HB Brass	5.0 (19.0)	
G575205	Santoprene	Polypropylene	3/8" HB ST (10/13 mm)	1/4" HB Brass	5.0 (19.0)	
G575215	Santoprene	Polypropylene	1/2" HB ST (12.7)	1/4" HB Brass	5.0 (19.0)	
G575225	Santoprene	Polypropylene	3/4" HB ST (19)	1/4" HB Brass	5.0 (19.0)	
G575145	Santoprene	Polypropylene	1/2" OD JG (12.7)	1/4" HB Brass	5.0 (19.0)	
G575185	Santoprene	Polypropylene	3/8" MNPT ST (9.5)	1/4" HB Brass	5.0 (19.0)	
G575175	Santoprene	Polypropylene	1/2" MNPT ST (12.7)	1/4" HB Brass	5.0 (19.0)	
G57C002	Kalrez	Polypropylene	NONE	1/4" HB Brass	5.0 (19.0)	
G57C202	Kalrez	Polypropylene	1/2-3/8" HB ST (10-13mm)	1/4" HB Brass	5.0 (19.0)	
G57C203	Kalrez	Polypropylene	1/2-3/8" HB ST (10-13mm)	1/4" HB EL Brass	5.0 (19.0)	
G57C212	Kalrez	Polypropylene	1/2" HB ST (12.7)	1/4" HB Brass	5.0 (19.0)	
G57C213	Kalrez	Polypropylene	1/2" HB ST (12.7)	1/4" HB EL Brass	5.0 (19.0)	
G57C222	Kalrez	Polypropylene	3/4" HB ST (19)	1/4" HB Brass	5.0 (19.0)	
G57C223	Kalrez	Polypropylene	3/4" HB ST (19)	1/4" HB EL Brass	5.0 (19.0)	
G57C182	Kalrez	Polypropylene	3/8" MNPT ST (9.5)	1/4" HB Brass	5.0 (19.0)	
G57C172	Kalrez	Polypropylene	1/2" MNPT ST (12.7)	1/4" HB Brass	5.0 (19.0)	
G57C152	Kalrez	Polypropylene	3/8" OD JG (9.5)	1/4" HB Brass	5.0 (19.0)	
G57C412	Kalrez	Polypropylene	1/2" OD JG (12.7)	1/4" HB Brass	5.0 (19.0)	

AIR DRIVEN



G57 SERIES DUAL HIGH FLOW | FOR INTERNATIONAL & US MARKETS



FEATURES

- Flows to 10 GPM (38 L/min)
- Chemically resistant Polypropylene housings with Viton and Santoprene elastomers
- Easy installation with 1/2" ± (12.7 mm) Dual and 3/4" ± (19.1 mm) Quatro pump manifolds
- Duplex diaphragm design
- Patented shuttle valves eliminates stalling
- Compact size

SPECIFICATIONS

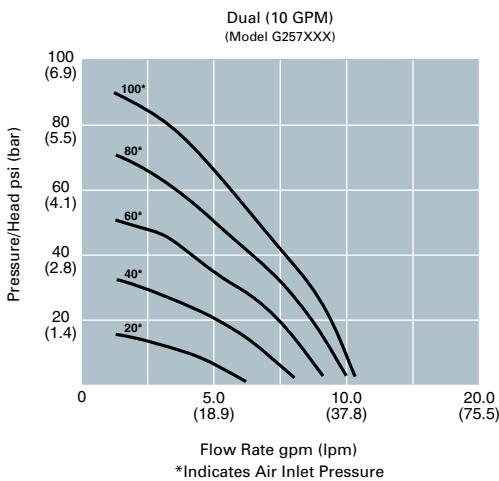
Pump Design	Positive Displacement Double Diaphragm
Flow Rate (Dual)	Up to 10.0 GPM (37.8 LPM)
Operating Pressure	20 to 100 PSI (1.4 to 6.0 bar)
Liquid Inlet Pressure	30 PSI (2.1 bar) Max.
Liquid Temperature	Min. 40° F (4.4° C), Max. 140° F (60.0° C)
Priming	Dry 15ft (4.5 m), Wet 20ft (6.1 m)
Air Supply Pressure	20 to 100 PSI (1.4 to 6.9 bar)
Noise	Max 90 dB

INST. SHEET #81000-354

MODELS

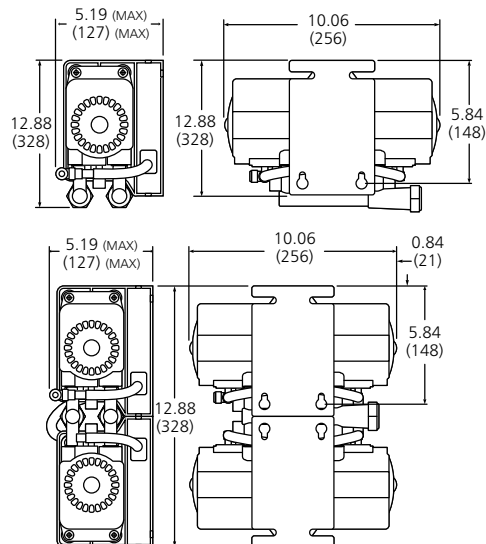
MODEL #S	CE	DIAPHRAGM	CHECK VALVE	LIQUID FITTINGS IN. (MM)	AIR INLET IN. (MM)	MAX OPEN FLOW GPM (LPM)	COMMENTS
G257301A	Yes	VITON	POLYPRO	1/2" NPTF (12.7)	1/4" HB ST (6.4)	10.0 (38.0)	
G257302A	Yes	VITON	POLYPRO	1/2" NPTF (12.7)	1/4" QD EL (6.4)	10.0 (38.0)	
G257501A	Yes	SANTOPRENE	POLYPRO	1/2" NPTF (12.7)	1/4" HB ST (6.4)	10.0 (38.0)	
G257502A	Yes	SANTOPRENE	POLYPRO	1/2" NPTF (12.7)	1/4" QD EL (6.4)	10.0 (38.0)	
G577000A	Yes	SANTOPRENE	POLYPRO	NONE	NONE	5.0 (19.0)	Santoprene reverse flow for dual G57
G578000A	Yes	VITON	POLYPRO	NONE	NONE	5.0 (19.0)	Viton reverse flow for dual G57

PERFORMANCE



DIMENSIONAL DRAWING

UNLESS OTHERWISE STATED DIMENSIONS IN [] ARE IN MM.





PERMANENT MAGNET MOTORS | FOR INTERNATIONAL & US MARKETS

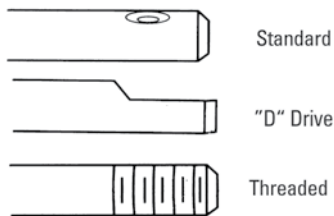
ITT Flojet manufactures a wide range of 3" (76.2mm) diameter permanent magnet motors. These are designed as a more cost-effective alternative to larger series wound or induction type motors. They also offer flexibility of speed in the range of 1000 to 5000 rpm. Low heat rise and high efficiency ensures long and reliable service life. The ease with which these motors can be adapted to any application is enhanced by the availability of various motor lengths and shaft configurations. The fact that the motors are bidirectional increases their versatility. Most of our motors have the appropriate agency approvals including UL, CSA and CE.



FEATURES

- Highly efficient permanent magnet design
- Combines advantages of low amp draw heat rise with high torque and low speed
- Diamond-turned commutator
- Delivers up to 1/8 H.P. in compact 3" (76.2mm) diameter
- 6, 12, 24, 32, 36, 115, 230 and 240 volt AC or DC
- Lightweight double insulated armatures
- High starting torque - up to 600% of rated torque
- Speed control capability
- Available with internal solid state rectifier (AC models only)
- Instant reversibility (DC voltages)
- Thermo protection available
- Dynamic braking capability
- UL recognized (115 Volt AC models only)
- Partial or full suppression available with CE certification

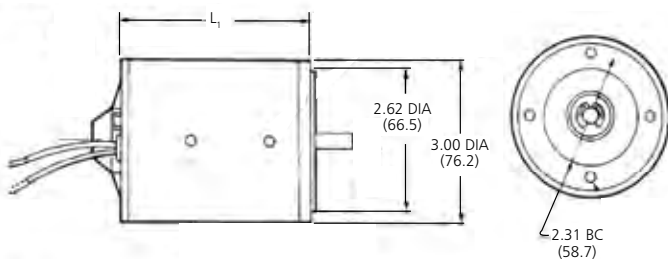
MOTOR SHAFT CONFIGURATION



DIMENSIONAL DRAWING

UNLESS OTHERWISE STATED DIMENSIONS IN [] ARE IN MM.

Totally Enclosed (TENV)

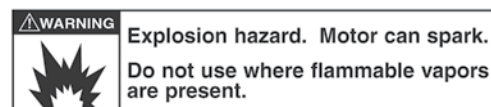
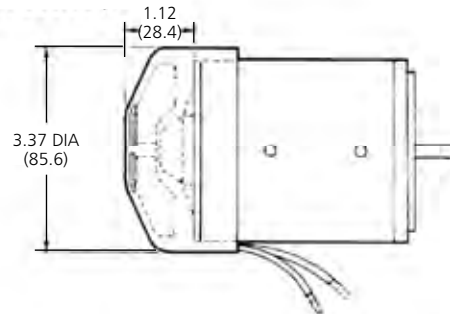


STACK LG. (APPROX) IN. (MM)	A IN. (MM)	MHP
0.5 (12.7)	2.87 (72.9)	20
0.875 (22.2)	3.25 (82.6)	50
1.25 (31.8)	3.7 (94)	75
1.875 (4.6)	4.4 (111.8)	100

SPECIFICATIONS

Motor Design	Permanent Magnet
Size	3 in. (76.1 mm) Diameter
Stack Length	1/2 in. - 2 in. (12.7 - 50.8 mm)
Horsepower	Up to 1/40 - 1/8 H.P.
Duty	Continuous or Intermittent
Speed	1100-5000 R.P.M.
Voltage	6-230 Volt DC or Rectified AC
Insulation	Class B Standard
Bearings	Sleeve or Ball Bearing
Enclosure	Totally Enclosed / Totally Enclosed Fan-Cooled

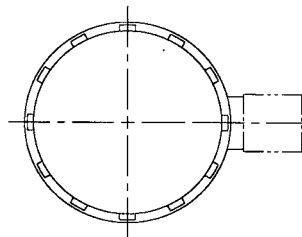
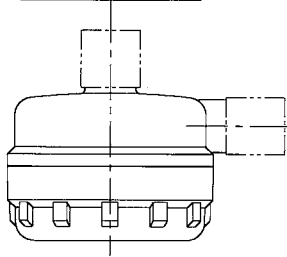
Fan Cooled (TEFC)



1720/1740/1745 SERIES INLET STRAINERS | FOR INTERNATIONAL & US MARKETS

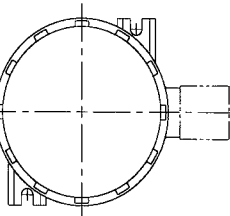
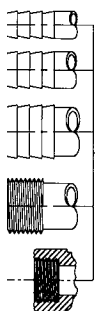
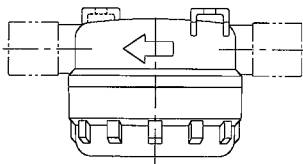


3/8" NPT (9.5MM) QUAD PORT



- 3/8" Hose Barb (9.5mm)
- 1/2" Hose Barb (12.7mm)
- 3/4" Hose Barb (19.0 mm)
- 1/2" Hose Barb (12.7mm)

INLET STRAINER
(PLUGS INTO QUAD PUMP PORT)



IN-LINE STRAINER

- 3/8" Hose Barb (9.5mm)
- 1/2" Hose Barb (12.7mm)
- 3/4" Hose Barb (19.0 mm)
- 1/2" Hose Barb (12.7mm)
- 3/8" NPT (9.5mm)

FEATURES

- Low profile design for space saving installation.
- Very strong reinforced plastic base with clear cover.
- Wide variety of port configurations from 3/4" (19.4=1 mm) to 3/8" (9.5mm).

SPECIFICATIONS

Materials	Base	Polypropylene, black
	Cover	Polysulfane, smoke tinted
	Screen	Stainless Steel, 20 and 40 mesh Polypropylene Screen, 20 mesh
	O-rings	Buna-N FDA Compound
Temperature	160°F (70°C) max.	
Dimensions	2.75" (70 mm) diameter x 2.25" (57 mm) high 4.75" (121 mm) max. port to port (3/4" hose barb) Plug-in style, 3.75" (96 mm) max. length	

INST. SHEET # 12345-000

MODELS

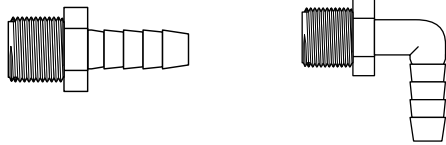
MODEL #	DESCRIPTION
01720-000	3/4" (19.0mm) x 3/4" (19.0mm) hose barb SS 20m
01720-002	1/2" (12.7mm) x 1/2" (12.7mm) hose barb SS 20m
01720-023	3/8" (9.5mm) hb x 3/8" (9.5mm) NPT (m) 90° SS 20m
01720-102	1/2" (12.7mm) x 1/2" (12.7mm) hose barb PP 20m
01720-103	3/8" (9.5mm) x 3/8" (9.5mm) hose barb PP 20m
01720-112	1/2" (12.7mm) x Quad port 90° PP 20m
01720-123	3/8" (9.5mm) hb x 3/8" (9.5mm) NPT (m) 90° PP 20m
01720-375	3/8" (9.5mm) NPT(f) x 3/8" (9.5mm) NPT(f) SS 20m
01740-000	3/4" (19.0mm) x 3/4" (19.0mm) hose barb SS 40m
01740-002	1/2" (12.7mm) x 1/2" (12.7mm) hose barb SS 40m
01740-003	3/8" (9.5mm) x 3/8" (9.5mm) hose barb SS 40m
01740-004	1/2" (12.7mm) x 1/2" (12.7mm) SS 40m
01740-010	3/4" (19.0mm) x Quad port 90° SS 40m
01740-012	1/2" (12.7mm) x Quad port 90° SS 40m
01740-014	1/2" (12.7mm) x Quad port 90° SS 40m
01740-375	3/8" (9.5mm) NPT(f) x 3/8" (9.5mm) NPT(f) SS 40m
017450-00S	Strainer In-line 3/4" (19.0mm) HB X 3/4" (19.0mm) HB SS 40M PETG VIT
017450-10S	Strainer In-line 3/4" (19.0mm) HB X QUAD PORT 90° 40M PETG VIT
017450-12S	Strainer In-Line 1/2" (12.7mm) HB X QUAD PORT 90° 40M PETG VIT
017450-23S	Strainer In-Line 3/8" (9.5mm) HB X 3/8" (9.5mm) MNPT SS 40M PETG VIT

SS - Stainless Steel PP - Polypropylene m - Mesh

ELECTRIC PUMP FITTINGS | FOR INTERNATIONAL & US MARKETS

NYLON BARBED STRAIGHT/ELBOW

For use with all Duplex II Series Pumps (3/8" (9.5mm) NPT only).

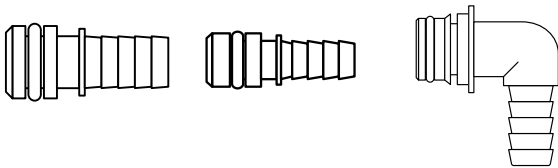


MODELS

PART # STRAIGHT	PART # ELBOW	DESCRIPTION
91010-032	91010-033	3/8" (9.5mm) NPT Male x 1/4" (6.4mm) Barb
91010-004	91010-003	1/4" (6.4mm) NPT Male x 3/8" (9.5mm) Barb
91010-002	91010-001	3/8" (9.5mm) NPT Male x 3/8" (9.5mm) Barb
91010-034	91010-025	1/4" (6.4mm) NPT Male x 3/8" (12.7mm) Barb
91010-006	91010-005	3/8" (9.5mm) NPT Male x 1/2" (6.4mm) Barb
91010-053	91010-052	1/4" (6.4mm) NPT Male x 1/4" (6.4mm) Barb
91006-477A	N/A	Wire Harness 9' (2.74m) with fuse rocker switch and inline connector

PLASTIC (POLYPROPYLENE, EPDM)* INLETS & OUTLETS

For use with all Quad and G57 Series Pumps



MODELS

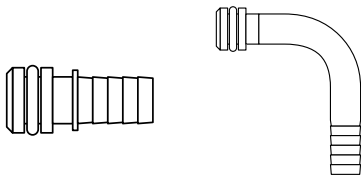
PART # STRAIGHT	PART # ELBOW	DESCRIPTION
20381-000	20381-008	Quad Port x 1/2"-14 Male Straight
20381-002	20381-009	Quad Port x 1/2" Hose Barb
20381-006	20381-010	Quad Port x 3/4" Hose Barb
20381-007	N/A	Quad Port x Garden Hose Adapter

*Other Elastomers Available **Packaged 2 per bag

GAS PUMP FITTINGS

STAINLESS STEEL INLETS & OUTLETS (LIQUID FITTINGS)

For use with all 5100 Series Pumps

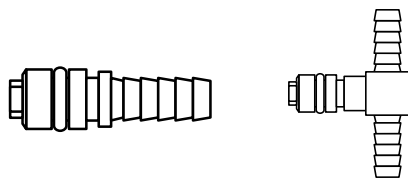


MODELS

PART # STRAIGHT	PART # ELBOW	DESCRIPTION
20324-030	20607-100	1/4" (6.4mm) Hose Barb
20325-030	20608-100	3/8" (9.5mm) Hose Barb
20606-100	N/A	1/2" (12.7 mm) Hose Barb

BRASS CO2/AIR INLETS WITH SHUT-OFF VALVE (AIR FITTINGS)

For use with all 5100 and G Series Pumps

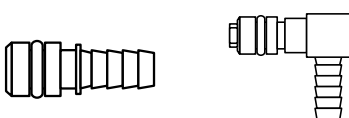


MODELS

PART #S	DESCRIPTION
1510-000	1/4" (6.4mm) Hose Barb, Straight
1520-000	1/4" (6.4mm) Hose Barb, Tee
1521-000	1/4" (6.4mm) Hose Barb, Elbow

PLASTIC (CELCON) CO2/AIR INLETS

For use with all 5100 and G Series Pumps



MODELS

PART #S	DESCRIPTION
20325-033	1/4" (6.4mm) Hose Barb, Straight

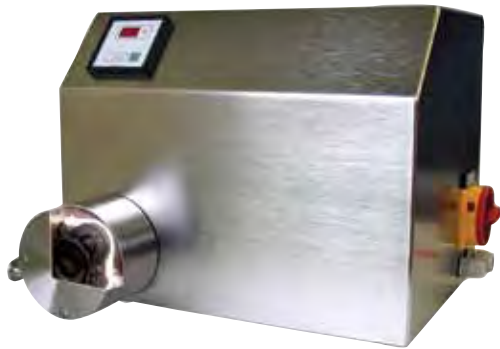


SANITARY
DIAPHRAGM
PUMPS



PUREFLO® 21 SUPER HYGIENIC DIAPHRAGM PUMP FOR INTERNATIONAL & US MARKETS

ITT Jabsco's Pureflo 4-piston diaphragm pump is designed to be used in pharmaceutical, biotech, food or cosmetic applications. The design complies with the stringent requirements of these industries. The pump and controls are mounted in a stainless steel cabinet. The system can be cleaned easily and the simple construction allows safe and easy use.

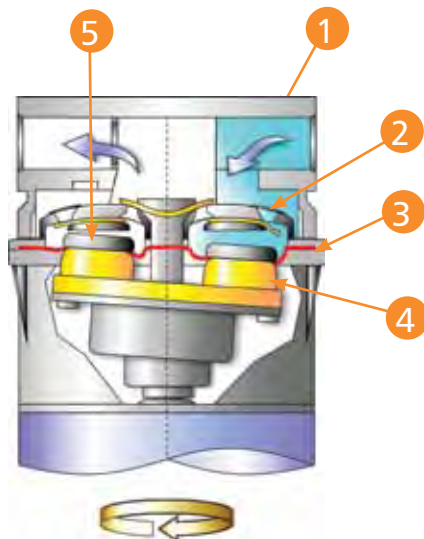


FEATURES

- Bench top complete unit
- Fixed or variable speed AC unit
- Easy to clean, no shaft seals
- Can run dry
- Low noise, constant flow
- Compact and small
- Adjustable flow up to 365 gph (1,380 lph)
- Pressure up to 87psi (6.0 bar), in constant use 72 psi (5.0 bar) should not be exceeded
- Temperature up to 140° F (60° C) in constant use, CIP up to 194°F (90° C) and SIP 275° F (135° C) is possible
- Viscosity up to 250 Centipoise
- Unit supplied with 3.1B material certificates
- SIP Capabilities

SPECIFICATIONS

Drive	
Motor	24 V DC
Motor protection	IP 54
Variable speed	0 - 3,000 rpm
Torque	0.42 Nm at 3,000 rpm
Motor power	132 Watt, 8.7 Amp
Electrical Details	
Power supply	Intelligent controls enable operation at most single phase supplies, 115-240 V AC, 50 or 60 Hz
Controls voltage	24 V DC
Programmable Controls	Touch Pad I - 100 % nof speed
Materials / Surfaces	
Parts in contact with fluid are manufactured from FDA conforming materials only.	
Surface finish Ra < 0.8 μ standard (32 micro inch), 0.5 μ (20 micro inch) and electro polish is available on request.	
Parts in Contact with Fluid	
Head	Stainless Steel 316L
Diaphragm	Santoprene
Valves / O-Ring	EPDM / Buna
Valve chamber & pistons	Polypropylene
Ports	Tri-Clamp 3/4" (19mm)



TECHNICAL AND CONSTRUCTION DETAILS

1. Low carbon 316L pump head for reduced carbide precipitation, increased corrosion resistance and minimal carbon pullout.
2. Chemical resistant Polypropylene valve chamber and piston guarantees long-life of the system.
3. Hygienic Santoprene® diaphragm conforms to FDA requirements.
4. Non-contact cam assembly ensures super hygienic standards are maintained.
5. Valves in EPDM for optimum chemical resistance capability.

MODEL	PUREFLO 21	
Port Size	(inch)	Tri-Clamp 3/4
	(mm)	19
Max Flow (per min)	(GPM)	6
	(LPM)	23
Max Pressure	(psi)	87
	(bar)	6
Max Speed	(RPM)	3000
Size LxBxH	(inch)	15x15x11.75
	(mm)	380x385x300
Weight	(lbs)	43
	(kg)	19.5
Max Operating Temp	(°F)	+140 (CIP 194)
	(°C)	+60 (CIP 90)
Viscosity	(cP)	250



DRUM PUMP MOTOR | FOR INTERNATIONAL & US MARKETS

Heavy duty motor has extra large handle for work with gloved hands. 20ft (6.09m) power cord with grounded three prong plug. Power switch guard prevents inadvertent operation. Built-in circuit breaker is reset by toggling the power switch to off, then on. Optional Low Voltage Safety Shut-Off (LV) sets motor to "OFF" if power is lost. Motor will not turn on unexpectedly if power is restored after a power failure. Toggle power switch to restore normal operation. Self-aligning motor coupling makes pump tube easy to attach. Optional CE.



APPLICATIONS

- Transfer from drums carboys and IBC's aggressive liquids, acids, solvents and food products.
- Rugged construction pump tubes in four material options.

SPECIFICATIONS

Motor Type	115V AC and 220V AC 50/60 Hz 600 Watts fan cooled, thermal protection
Motor Brushes	Replaceable
Nominal Amp Draw	5.8 amps for 115V AC models 3.0 amps for 230V AC models
Duty Cycle	Intermittent
Approvals	CE some models
Enclosure	Weather protected
Ambient Temperature	40-120 °F (4-53 °C)
Wt.	7.5 lbs (3.4 kg)

MODELS

MODEL #S	CE	POWER	OPTIONS	PLUG
16450-0115	Yes	115V AC 60 Hz 01	CB	US
16450-1115	Yes	115V AC 60 Hz 01	CB, LV	US
16450-2115	Yes	115V AC 60 Hz 01	CB, LV, CE	US
16450-0220	Yes	230V AC 50/60 Hz 01	CB	None
16450-3220	Yes	230V AC 50/60 Hz 01	CB, LV, CE	Euro
16450-2220	Yes	230V AC 50/60 Hz 01	CB, LV, CE	UK
16450-4115	Yes	115V AC 60 Hz 01	CB, LV	None

ACCESSORIES



Model 18753-0077 (US)
Model 23510-0010 (International)
Chemically resistant plastic adjustable nozzle



Model 16471-0000 (US)
Safety Ground Strap



Model 16470-0000 (US)
Model 23500-0000B (International)
Wall Mount Drum Pump Storage Bracket for easy storage when pump is not in use



Model 16490-1000 (US)
Polypro Strainer - Gray
Model 16490-1001
Tefzel Strainer - Black
Blocks debris entry and protects pump impeller



Model 18753-0080 (US)
Model 23505-0000B (International)
Drum Pump Bung Adapter 2" (50.8mm) allows pump tube to fit snugly in 2" (50.8mm) bung hole



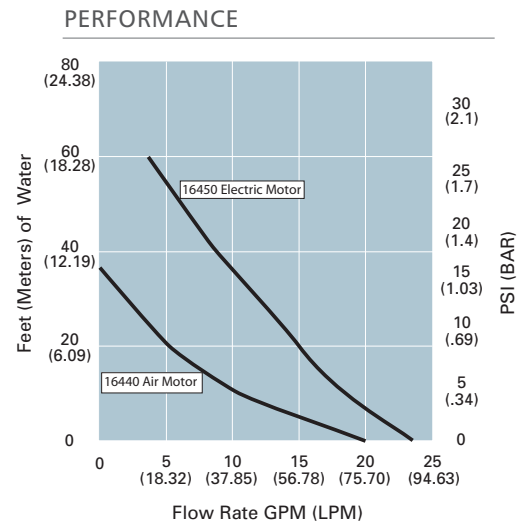
GAS WARNING

No pump manufactured by ITT should be used for gasoline or any fluid with a flash point below 100° F (38° C)



DRUM PUMP AIR MOTOR | FOR INTERNATIONAL & US MARKETS

Specifically designed to fit ITT Jabsco drum pump tubes. Do not use where flammable vapors are present. Always use safety ground strap.



SPECIFICATIONS

Supply	Clean dry air, 15 CFM (4.6 CMM) at 80 psi (5.5 bar) 90 psi (6.2 bar) maximum inlet air pressure
Motor	.36 HP at 8,000 RPM
Housing	Cast iron body Cast aluminum end plates and adapter
Air Inlet Valve	Bronze 1/4 turn ball valve 1/8" (3.2 mm) NPT (F) inlet
Air Outlet	Spun Wire Exhaust Muffler
Temperature	40-120 °F (4-53 °C)
Size	5 1/8" x 1 3/4" x 5 3/4" (129 x 45 x 146mm)
Ship Wt.	1.8 lbs (.8 kg)
Model #	16440-0000



DRUM PUMP TUBES | FOR INTERNATIONAL & US MARKETS

ITT Jabsco pump tubes easily handle a wide range of chemicals from strong acids and caustics to severe solvents and oils. Kynar is our most chemically resistant drum pump tube material. Hygienic models handle food and beverage grade liquids and are built with USDA approved materials. Select drum pump tube length and materials compatible with the container and fluid being pumped. Not recommended for viscosities over 3500 SSU. Seal-less pump design provides up to 30 minutes of run dry operation.



SPECIFICATIONS

Pump Tubes	Tube Material	Length in IN (M)	Shaft	Impeller	Weight in LB (KG)	Container
16400-3350 (US Only)	Polypropylene	35.5 (0.9)	Carpenter	20 Tefzel	2.25 (1.02)	Drums (US)
16400-3270	Polypropylene	27.0 (0.7)	Carpenter	20 Tefzel	2.25 (1.02)	Carboys
16400-3400	Polypropylene	40.0 (1.0)	Carpenter	20 Tefzel	2.25 (1.02)	Drums (Euro)
16400-3470	Polypropylene	47.0 (1.2)	Carpenter	20 Tefzel	2.25 (1.02)	Large Vats
16410-3350 (US Only)	Stainless Steel	35.5 (0.9)	316 SS	Tefzel	7.5 (3.4)	Drums (US)
16410-3270	Stainless Steel	27.0 (0.7)	316 SS	Tefzel	7.5 (3.4)	Carboys
16410-3400	Stainless Steel	40.0 (1.0)	316 SS	Tefzel	7.5 (3.4)	Drums (Euro)
16410-3470	Stainless Steel	47.0 (1.2)	316 SS	Tefzel	7.5 (3.4)	Large Vats
16510-3350 (US Only)	Hygienic SS	35.5 (0.9)	Hygienic	Tefzel	7.5 (3.4)	Drums (US)
16510-3270 (US Only)	Hygienic SS	27.0 (0.7)	Hygienic	Tefzel	7.5 (3.4)	Carboys
16510-3400 (US Only)	Hygienic SS	40.0 (1.0)	Hygienic	Tefzel	7.5 (3.4)	Drums (Euro)
16510-3470 (US Only)	Hygienic SS	47.0 (1.2)	Hygienic	Tefzel	7.5 (3.4)	Large Vats
16520-3350 (US Only)	Kynar	35.5 (0.9)	Hastelloy	Tefzel	2.75 (1.25)	Drums (US)
16520-3270	Kynar	27.0 (0.7)	Hastelloy	Tefzel	2.75 (1.25)	Carboys
16520-3400	Kynar	40.0 (1.0)	Hastelloy	Tefzel	2.75 (1.25)	Drums (Euro)
16520-3470	Kynar	40.0 (1.0)	Hastelloy	Tefzel	2.75 (1.25)	Large Vats

*For chemical compatibility see data sheet SD932



FLEXIBLE
IMPELLERS